

HONSBERG - UR1 SERIES FLOW SWITCH

Paddle

UR1-010GM

- Switching range 1,3..35 l/min
- Water (oils, gases and aggressive media available on request)
- G $\frac{3}{8}$ " up to G2"
- Brass or stainless steel wetted parts
- Max pressure 25 bar



Product description

The Honsberg UR1 is a simple flow switch which can easily be adjusted and also changed from normally open to normally closed. The flow switch works via a spring-supported paddle which moves according to the flow and when the specific flow is reached a magnetic reed switch is activated.

Special versions

- Plastic materials
- Weld/solder connection
- High volume OEM version
- Ex
- Switching ranges for oil or gas
- Special values
- High volume OEM version
- PVC (solder fitting)

Ordering information

- Specify direction of flow, medium, and switching range, UR1 or switching value UR2.
- For UR2 specify normally closed (n.c.) or normally open (n.o.).
- For oils, state viscosity, temperature and designation (e.g. ISO VG 68) (enquire about range).
- For gases, state pressure (relative or absolute), temperature and medium (e.g. air) (enquire about range).

Installation

- Include straight calming section of 5 x DN in inlet and outlet.
- Include a filter if the media is dirty (use magnetic filter for ferritic components).
- It must be ensured that the values given for voltage, current and power are not exceeded.
- When switched on, a load must be connected in series.
- The electrical details apply to ohmic loads. Capacitive, inductive and lamp loads must be operated using a protective circuit.
- Standard: horizontal inwards flow; switching head not recommended underneath; other installation positions are possible; the installation position affects the switching point and range.

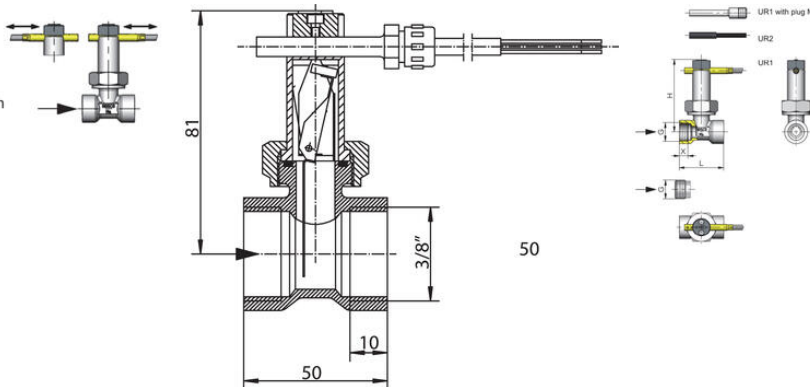
Specifications

Specifications

| | |
|--|---|
| Accuracy | ±15% fs |
| Adjustable Switching Point L / Min Of Water | 2,5..3,5 l/min |
| Connection | G3/8" female |
| Contact Rating Max | 50 |
| Electrical Connection | 1.5m cable |
| Flow Max l/min Double | 10 |
| Function | Normally open or normally closed (SPST) |
| IP Class | IP65 |
| Material breaker body | Hard ferrite |
| Material of body | Nickel-plated brass, Stainless steel 303 |
| Material of connection | Nickel-plated brass |
| Material of seals | NBR |
| Materials Paddle | Stainless steel 301 |
| Materials Wetted Parts | Nickel-plated brass, Stainless steel, Hard ferrite, NBR |
| Media | Water (oil, air and aggressive media on request) |
| Pressure drop | Approx. 0.01 bar at max. flow |
| Pressure Range Max | 25 |
| Temperature range of media from | 20 |
| Temperature range of media to | 110 |
| Type of flow component | Flow Switches |
| Weight | 0,35 |
| Viscosity | 1 |
| Voltage AC max | 230 |

Adjustment

UR1 - loosen bolts, push the switching current tube into the desired position. Retighten the bolts.
Normally closed (n.c.) or normally open (n.o.) as per table "Technical data"

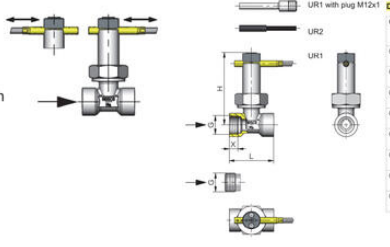


Dimensions and weights

| G | Types | H | L | X | Weight kg |
|---------|----------|-----|----|----|-----------|
| G 1/2 | UR-010GM | 82 | 50 | 10 | UR1 0,35 |
| | UR-010GK | | | | UR2 0,35 |
| G 1/2 A | UR-015AM | 60 | 12 | 10 | UR1 0,40 |
| | UR-015AP | | | | UR2 0,40 |
| G 1/2 | UR-015GM | 50 | 10 | 10 | UR1 0,35 |
| | UR-015GK | | | | UR2 0,35 |
| G 1/2 | UR-020GM | 83 | 12 | 12 | UR1 0,40 |
| | UR-020GK | | | | UR2 0,40 |
| G 1 | UR-025GM | 87 | 12 | 12 | UR1 0,45 |
| | UR-025GK | | | | UR2 0,45 |
| | UR-030GM | | | | UR2 0,40 |
| G 1 1/2 | UR-030GM | 91 | 12 | 12 | UR1 0,50 |
| | UR-030GK | | | | UR2 0,50 |
| G 1 1/2 | UR-040GM | 94 | 12 | 12 | UR1 0,55 |
| | UR-040GK | | | | UR2 0,55 |
| G 2 | UR-050GM | 103 | 12 | 12 | UR1 0,65 |
| | UR-050GK | | | | UR2 0,65 |

Adjustment

UR1 - loosen bolts, push the switching current tube into the desired position. Retighten the bolts.
Normally closed (n.c.) or normally open (n.o.) as per table "Technical data"



Dimensions and weights

| G | Types | H | L | X | Weight kg | |
|---------|-----------|-----|----|----|--------------|------|
| G 1/4 | UR -010GM | 82 | 50 | 10 | UR1 | UR2 |
| | UR -010GK | | | | 0.35 | 0.30 |
| | UR -010GM | | | | 0.40 | 0.40 |
| G 1/2 A | UR -015AM | 60 | 12 | 10 | UR1 | UR2 |
| | UR -015AK | | | | 0.35 | 0.30 |
| | UR -015AP | | | | 0.15 | 0.15 |
| G 1/2 | UR -015GM | 50 | 10 | 10 | UR1 | UR2 |
| | UR -015GK | | | | 0.40 | 0.40 |
| | UR -020GM | | | | 0.35 | 0.35 |
| G 1 | UR -025GM | 87 | 12 | 12 | UR1 | UR2 |
| | UR -025GK | | | | 0.40 | 0.40 |
| | UR -032GM | | | | 0.45 | 0.45 |
| G 1 1/2 | UR -032GM | 91 | 12 | 12 | UR1 | UR2 |
| | UR -032GK | | | | 0.50 | 0.50 |
| | UR -040GM | | | | 0.55 | 0.55 |
| G 1 1/2 | UR -040GM | 94 | 12 | 12 | UR1 | UR2 |
| | UR -040GK | | | | 0.65 | 0.65 |
| | UR -050GM | | | | 0.80 | 0.75 |
| G 2 | UR -050GM | 103 | 12 | 12 | UR1 | UR2 |
| | UR -050GK | | | | 0.95 | 0.95 |