

HONSBERG - TURBINE FLOW SENSOR FOR GENERAL APPLICATIONS

RRT-020GM050
Flow sensor 3/4", PNP, 1-50l/min Brass/Nickel

- For liquids up to 100 bar
- Flow ranges 1-50 l/min, and 2-80 l/min. water
- Connection 3/4"



Product description

Model RRT is a simple turbine sensor that is highly suitable in all types of industrial applications where the pressure does not exceed 100 bar. The sensor has a low tolerance in terms of pulses and therefore is suitable when used in large numbers.

Technical specification

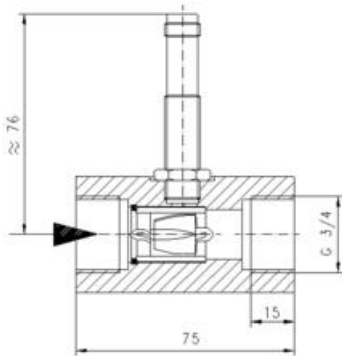
Function	Turbine, Hall effect sensor
Supply voltage	5-24 V DC
Power consumption	Max. 10 mA
Output signal	NPN, 3-29 V square-wave or 4-20 mA
Electrical connection	M12x1, 4 pole
IP-class	IP67
Connection	Internal thread 3/4"
Max. deviation	± 3 %
Repeatability	Included in max. deviation
Viscosity	1 cSt (higher viscosity gives changed values)
Max. pressure	GP = 10 bar, GM = 100 bar
Media temperature	Max. + 90 °C
Pressure drop	Approx. 0.3 bar at max. flow
Design	
Material housing	GP = POM, GM = Nickel-plated brass
Turbine	Ultem PEI
Bearings	Toughened ferrite

Seals	NBR
Weight	GP = 0.2 kg, GM = 0.6 kg

Media



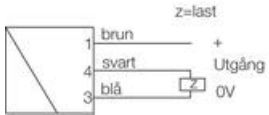
Dimensions



Installation

NPN

4-20 mA



Order number

Item no. PNP	Item no. 4-20 mA	Connection G	Flow range l/min. water	Max. flow water l/min.	Pulses/L. ca.
Nickel plated brass					
RRT-020GM050	RRT-020GM050E	3/4	1-50	50	100
RRT-020GM080	RRT-020GM080E	3/4	2-80	80	150
POM					
RRT-020GP050	RRT-020GP050	3/4	1-50	50	100
RRT-020GP080	RRT-020GP080	3/4	2-80	180	150