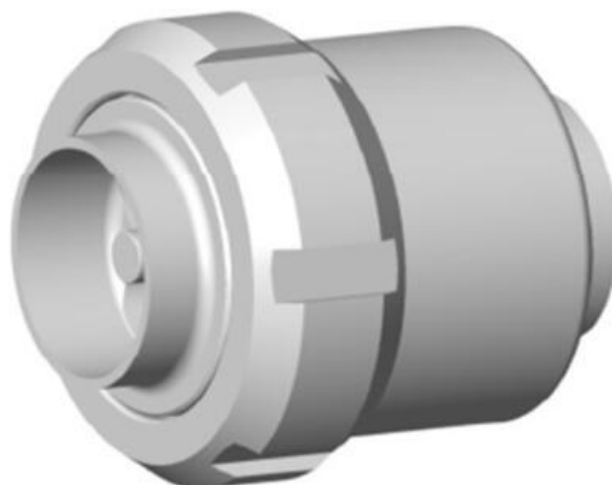


DEFINOX - NON-RETURN VALVE WITH WELDING TRANSMITTER

DE-UU012A11100

Non-return valve, 1/2", SS/PFA/EPDM

- Designed for minimal pressure surfaces
- Vertical mounting for an improved seal
- Quick and easy installation
- Connection: Welding end
- Sealing types: PFA - FKM - EPDM - PTFE



Product description

Our products are of high quality and design that meet the strongest requirements of process technology and are the ideal solution for Food, Brewery, Cosmetics and Pharmaceutical processes!

Technical Advantages:

- 1/2" - DN 125
- Interior surface roughness Ra = 0.8 µm
- Vertical mounting for an improved seal and eliminate retention
- Fast and easy disassembly
- Connection: Welding ends
- Multiple packing types: PFA - FKM - EPDM.
- Approvals : 3A - ATEX - DESP - 3.1 - 2.1 - E1935 / 2004 - CE - REACH - ANIA

Specifications

Certificate	3.1 EN10204
Connection	Weld ends
Design norm	SMS
Exit	90 Mbar
Housing	PFA/EPDM
Internal Diameter	9,4
Material quality	1.4404
Outer Diameter	12,7
Surface Finish	RA<0,8/1,2µm
Temperature range from	0
Temperature range to	120
Weight	0,3

