

## DEFINOX - SAMPLING VALVE - 10/12 PEX - PEAX

Manual and pneumatic

DE-PD010H11100  
Sampling Valve PEX, Tank, Manual plastic handle,  
10/12, VMQ

- SIP or CIP
- Simple and safe solution for sampling
- Compact pneumatic actuator
- Fast and easy membrane replacement
- 3.1 EN10204 - EHEDG



### Product description

PEX Sampling Valve

#### Specifications:

- DN 10/12

#### Materials:

- Body: stainless steel 1.4404 / 316L machined from solid item
- Handle: white plastic or stainless steel 1.4301 / 304
- Membrane: FKM (black / green with spot) - WMQ (white) - EPDM (black) - PFA / EPDM (white - hard)

#### Connections:

- Welding on tank
- Clamp
- Welding on pipes
- Exterior thread

#### Controls:

- Manual - PEX - Ergonomic handle
- Pneumatic

#### Surface:

- RA exterior = 0.8  $\mu\text{m}$
- RA inside = 0.8  $\mu\text{m}$  standard (0.4  $\mu\text{m}$  on request)

#### Operating conditions:

- Max. temperature: + 120 ° C
- Min. temperature: 0 ° C
- Max. working pressure: 10 bar

### ACS Control Top

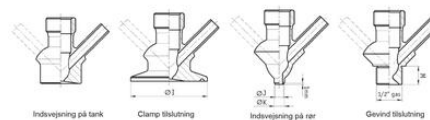
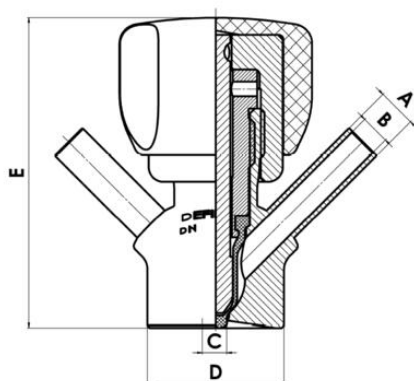
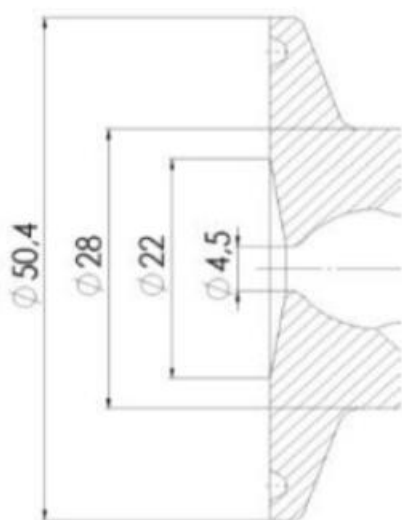
Definox LED Controllers allow you to monitor and control your valves from a central monitoring system and provide real-time warnings for any malfunctioning conditions so that immediate action can be taken and production stops can be minimized. The Definox LED Controller is configurable bar and user-friendly and offers a host of features.

### Specifications

**Certificate**

3.1 EN10204

<b>Connection</b>	Vessel
<b>Description</b>	Manual plastic handle
<b>House</b>	Aisi 316L / 1.4404
<b>Housing</b>	VMQ
<b>Internal Diameter</b>	8
<b>Outer Diameter</b>	36
<b>Process Connection</b>	1 x 10/12 pipe
<b>Surface Finish</b>	RA<0,8/1,2µm



## Clamp Ø 50,4

