

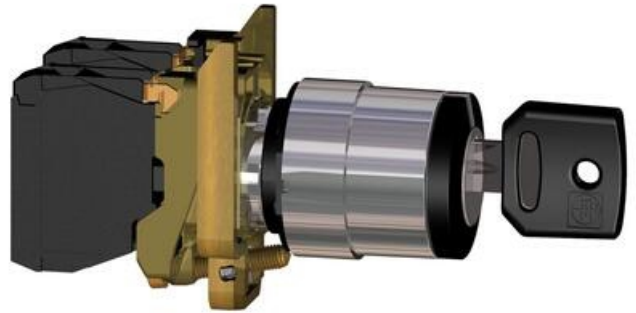


SCHNEIDER ELECTRIC CONTROL AND SIGNAL XB4 RANGE KEY SWITCHES

XB4BG21

Key Switch metal 2 pos 1 N/O Remove L

- It has a metal bezel.
- This key selector switch provides a versatile interface for controlling your machines.
- Easily installed into standard 22mm diameter panel cut-outs
- Connected to control circuits with classic screw-clamp connections.
- It is impact resistant, dust resistant, water resistant and vibration resistant thanks to its IP66 / IP67 / IP69 / IP69K, making it ideal for operation in harsh environments.



Product description