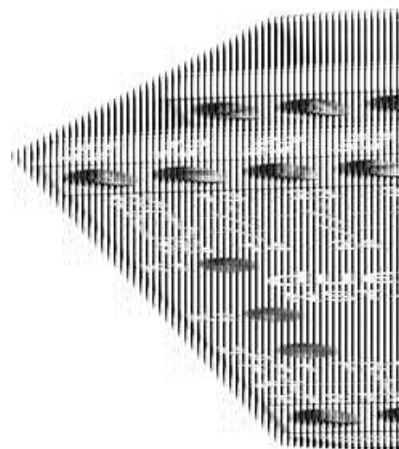


DUELCO - NST-2004 SAFETY RELAY

42010204

NST2004F Cat.4 Emergency Stop Relay 24Vdc

- Safety Category 4 (PLe)
- 3 NO safety outputs
- 1 transistor output or 1 NC contact
- Status/fault indication via LEDs
- Short circuit monitoring

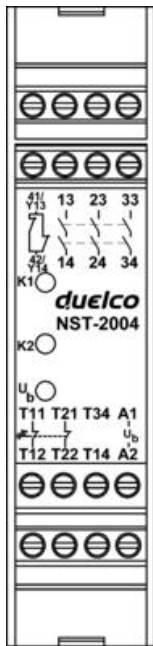
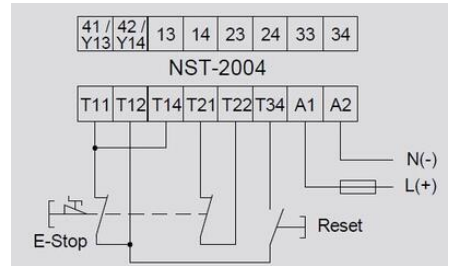
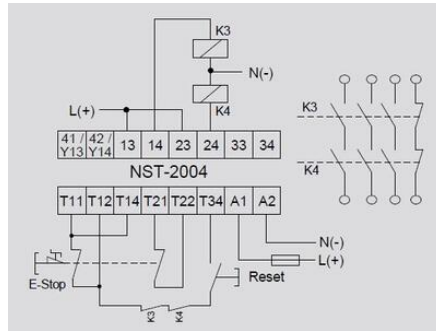
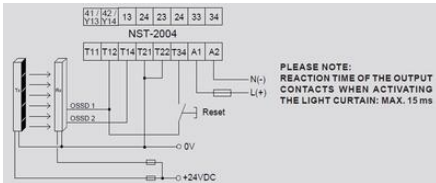
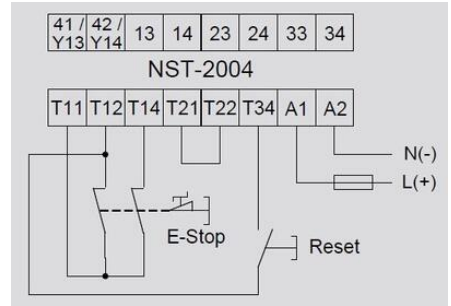
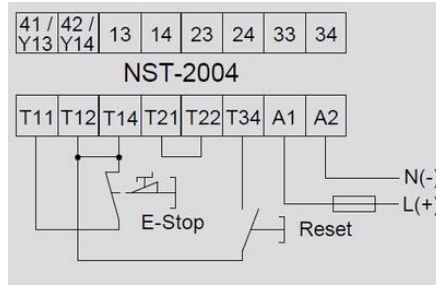
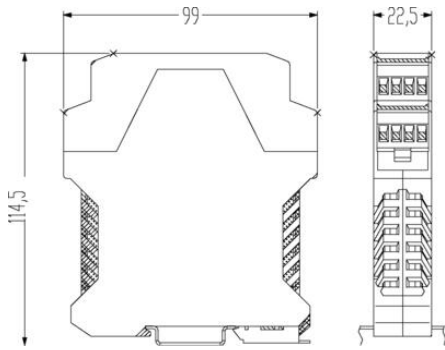


Product description

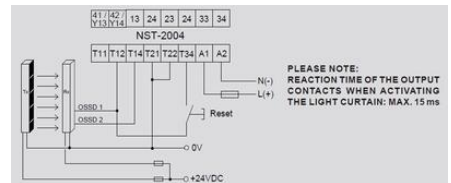
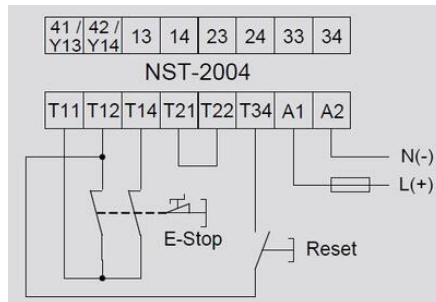
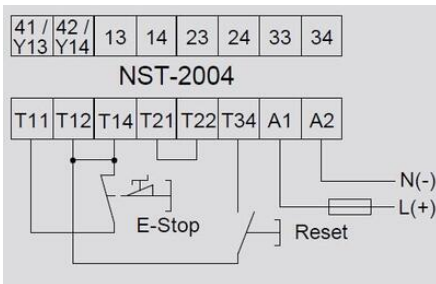
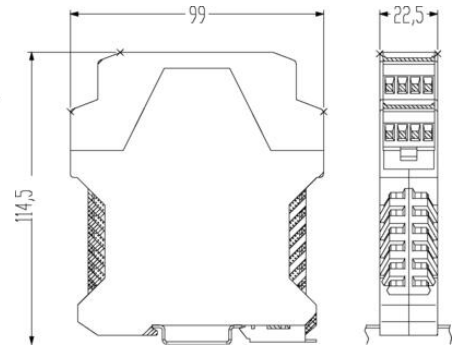
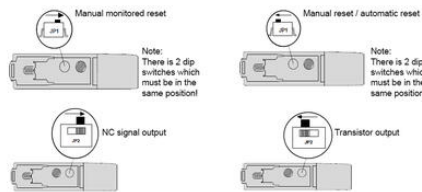
One of the most common relays in our safety relay range. Suitable for most applications including switches, light curtains and non contact switches. Transistor output for PLC monitoring.

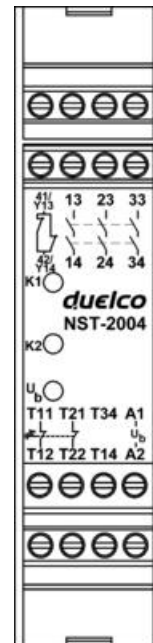
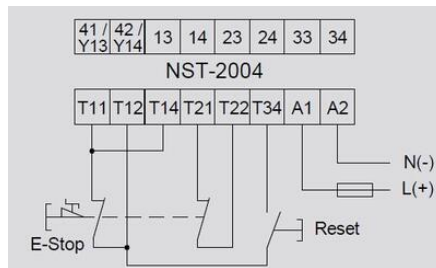
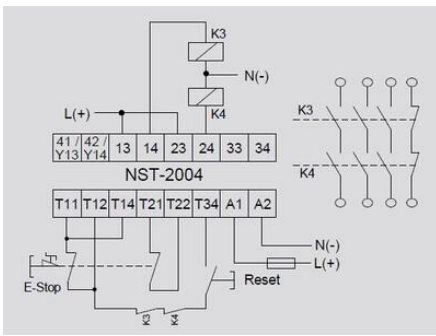
Specifications

Approvals	CE
IP Class Connection	IP20
IP Class Housing	IP40
Lifespan Mechanical	> 10 million
PL	e (EN ISO 13849-1)
Reset type	Automatic/manual, Manual monitored
Safety category	4
Safety outputs NO	3
Signal output NC	1
Supply voltage	24 V DC
Temperature range from	-25
Temperature range to	60
Tolerance	±10%
Width	22,5



On the bottom of safety relay there is DIP-switches, where you can choose below functions:





On the bottom of safety relay there is DIP-switches, where you can choose below functions:

