

ASCO - 2/2 CRYOGENIC VALVE 1/4"- 3/4"

SCE222E002LT
VALVE 2/2 NC 1/2" 230VAC

- Normally Closed
- Media temperature -196 °C to +90 °C
- Working pressure 0 to 9 bar
- Housing in brass

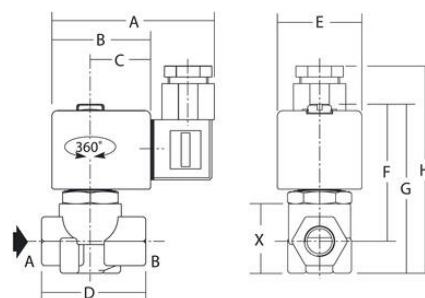
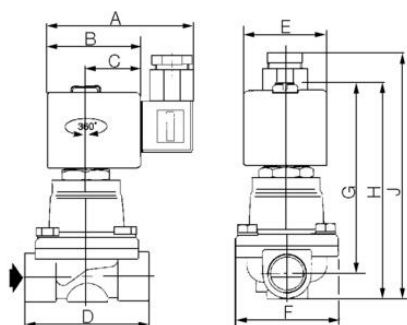
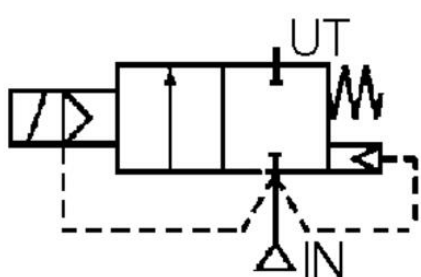


Product description

Specifications

Connection Thread	1/2 BSP
Differential Pressure Air Max	9
Differential Pressure Max	9
Differential Pressure Min	0
Flow Factor / Flow Coefficient	3,3
Flow Max l/min Double	55
Function 1	2/2
Function 2	Normally Closed (SPST)
IP Class	IP65
Material Body	Brass
Material Bolt	Brass
Material of seals	PTFE
Material piston ring	PTFE flask filled
Material Plunger	Stainless steel
Material Short Call	Copper
Materials Piston Rod Seal	PTFE

Materials Seat	Brass
Materials Spring	Stainless steel
Mounting	Upright, Vertical
Power Consumption	16,7
Response Closing	75
Response From Stroke	100
Temperature range from	-20
Temperature range of media from	-196
Temperature range of media to	90
Temperature range to	50
Throughput	16
Type of valve	Solenoid valve
Weight	1,1
Voltage AC	230



Ventil	A	B	C	D	E	F	G	H	J
SCE222E002LT	80	50	30	70	45	59	104	118	131
SCE222F003LT	80	50	30	70	45	59	108	124	137

