

## ASCO - 2/2 PULSE VALVE 3/4"-1 1/2"

SCE353A811

Solenoid pulse valve 2/2 NC 3/4" 230/50

- Currentless closed
- Thread or quick coupling
- Electric/Air controlled
- Housing in aluminium

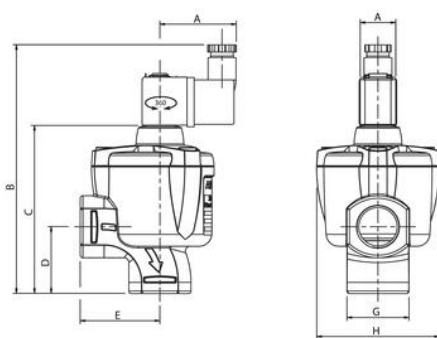


### Product description

### Specifications

<b>Coil Material</b>	Epoxy
<b>Connection Thread</b>	3/4 BSP
<b>Differential Pressure Air Max</b>	8,5
<b>Differential Pressure Max</b>	8,5
<b>Differential Pressure Min</b>	0,3
<b>Flow Factor / Flow Coefficient</b>	14
<b>Flow Max l/min Double</b>	233
<b>Function 1</b>	2/2
<b>Function 2</b>	Normally Closed (SPST)
<b>IP Class</b>	IP65
<b>Material Body</b>	Aluminium
<b>Material Bolt</b>	POM
<b>Material of seals</b>	NBR
<b>Material Plunger</b>	Stainless steel
<b>Material Short Call</b>	Copper
<b>Materials Spring</b>	Stainless steel

<b>Max. pressure</b>	10
<b>Power Consumption</b>	6,3
<b>Temperature range from</b>	-20
<b>Temperature range of media from</b>	-20
<b>Temperature range of media to</b>	85
<b>Temperature range to</b>	85
<b>Throughput</b>	20
<b>Weight</b>	0,52
<b>Voltage AC</b>	230



Ventil	A	B	C	D	E	F	G	H
SCE353A811	48	156	106	42	50	22	39	77
SCE353A821	48	162	112	51	62	22	46	77
SCE353A831	48	191	141	60	71	22	62	112