

ASCO - 238 SERIES PILOT OPERATED

2/2

SCG238A044
Solenoid valve 2/2 NC 3/8" 230/50

- Normally closed
- 3/8" up to 2" pipe size
- Air, inert gas & water
- Housing in brass or stainless steel
- Flow rates from 2.1 up to 34 m³/h



Product description

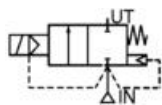
Differential pressure	0-10 bar
Max. allowed pressure	16 bar
Max. viscosity	40 cSt (mm ² /s)
Response time	15-120 ms
Media	Water
Media temperature	-20 °C to +85 °C NBR (nitrile)
Ambient temperature	-20 °C to +75 °C (6 W coil) -20 °C to +50 °C (9/15.3 W coil)
IP-class	IP65
Standard voltages	DC (=) 24 V AC (~) 24 V-115 V-230 V/50 Hz
Connection	DIN 43650/A

Design

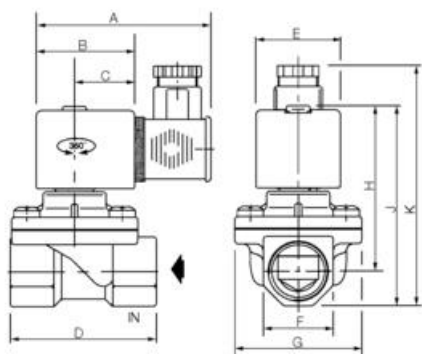
Valve body	Brass
Core tube	Stainless 305SS
Core	Stainless 430FSS
Spring	Stainless 302SS
Seat	Brass

Seals	NBR
Diaphragm	Fibreglass-reinforced NBR
Shading ring	Copper
Coil	Epoxy

NC



Dimensions



Valve	A	B	C	D	E	F	G	H	J	K	Weight (kg)
SCG238A044	80	45	27.5	52	39	27	37	72	85	104	0.55
SCG238A046	80	45	27.5	52	39	27	37	72	85	104	0.5
SCG238A047	80	45	27.5	65	39	27	58	74	87	106	0.75
SCG238A048	80	45	27.5	67	39	32	58	76	92	111	0.7
SCG238A049	80	45	27.5	86	39	41	73	92	112	131	1.3
SCG238A050	80	45	27.5	86	39	41	73	92	112	131	1.2

Order number

Item no.	Connection	Orifice	Flow factor Kv		Differential pressure bar				Power W	
			m ³ /h	l/min.	min.	~	=	~	=	
water										
	G	mm	m³/h	l/min.	min.	~	=	~	=	
Brass housing, NBR seals										
SCG238A044	3/8	12.5	2.1	35	0	10	10	6	15.3	
SCG238A046	1/2	12.5	2.1	35	0	10	10	6	15.3	
SCG238A047	1/2	19.0	4.2	70	0	10	10	6	15.3	
SCG238A048	3/4	19.0	4.5	75	0	10	10	6	15.3	
SCG238A049	3/4	25.0	10.0	166	0	10	10	9	15.3	

SCG238A050	1	25.0	10.0	166	0	10	10	9	15.3
------------	---	------	------	-----	---	----	----	---	------

Repair kits and coils

	Item number		Item number			
	Repair kit		Coils			
Valve	AC	DC	24 V DC	24 V AC	115 V AC	230 V AC
SCG238A044	C132486	C132487	400325242	400325101	400325118	400325117
SCG238A046	C132486	C132487	400325242	400325101	400325118	400325117
SCG238A047	C132488	C132489	400325242	400325101	400325118	400325117
SCG238A048	C132488	C132489	400325242	400325101	400325118	400325117
SCG238A049	C132490	C132491	400325242	400325201	400325218	400325217
SCG238A050	C132490	C132491	400325242	400325201	400325218	400325217

Special versions

- Other voltages

Accessories

- Cable connector - C18209N21

Specifications

Coil Material	Epoxy
Connection Thread	G3/8
Differential Pressure Air Max	10
Differential Pressure Max	10
Differential Pressure Min	0
Differential Pressure Water Max	10
Flow Factor / Flow Coefficient	2,1
Flow Max l/min Double	35
Function 1	2/2
Function 2	Normally Closed (SPST)
IP Class	IP65
Material Body	Brass
Material of seals	NBR
Material Plunger	Stainless steel
Material Short Call	Copper
Materials Internal Parts	Stainless steel

Materials Seat	Brass
Max. pressure	16
Membrane Material	NBR
Power Consumption	6
RSK number	4528043
Temperature range from	-20
Temperature range of media from	-20
Temperature range of media to	85
Temperature range to	75
Throughput	12,5
Weight	0,55
Viscosity Max	40
Voltage AC	230

