

ASCO - 2/2 CRYOGENIC VALVE 1/4"- 3/4"

SCE222E002LT
VALVE 2/2 NC 1/2" 230VAC

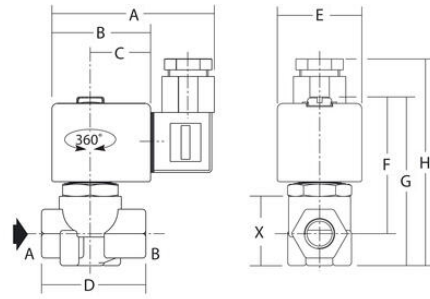
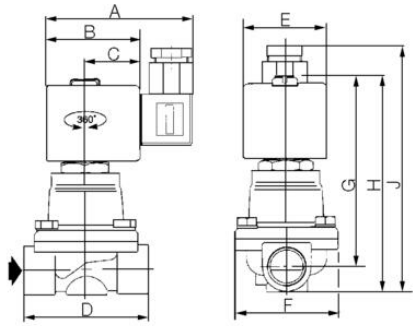
- Normally Closed
- Media temperature -196 °C to +90 °C
- Working pressure 0 to 9 bar
- Housing in brass



Product description

Specifications

Differential Pressure Air Max	9
Differential Pressure Max	9
Differential Pressure Min	0
Flow Factor / Flow Coefficient	3,3
Flow Max l/min Double	55
IP Class	IP65
Power Consumption	16,7
Response Closing	75
Response From Stroke	100
Temperature range from	-20
Temperature range of media from	-196
Temperature range of media to	90
Temperature range to	50
Throughput	16
Weight	1,1
Voltage AC	230



Ventil	A	B	C	D	E	F	G	H	J
SCE222E002LT	80	50	30	70	45	59	104	118	131
SCE222F003LT	80	50	30	70	45	59	108	124	137

