

ASCO - 2/2 PULSE VALVE 3/4"-1 1/2"

SCE353A811

Solenoid pulse valve 2/2 NC 3/4" 230/50

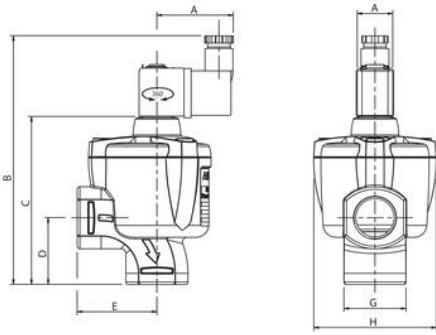
- Currentless closed
- Thread or quick coupling
- Electric/Air controlled
- Housing in aluminium



Product description

Specifications

Differential Pressure Air Max	8,5
Differential Pressure Max	8,5
Differential Pressure Min	0,3
Flow Factor / Flow Coefficient	14
Flow Max l/min Double	233
IP Class	IP65
Max. pressure	10
Power Consumption	6,3
Temperature range from	-20
Temperature range of media from	-20
Temperature range of media to	85
Temperature range to	85
Throughput	20
Weight	0,52
Voltage AC	230



Ventil	A	B	C	D	E	F	G	H
SCE353A811	48	156	106	42	50	22	39	77
SCE353A821	48	162	112	51	62	22	46	77
SCE353A831	48	191	141	60	71	22	62	112