

ASCO - 2/2 STEAM VALVE 3/8"-1 1/2"

SCE222B093

Solenoid valve 2/2 NC 3/8" 230/50

- Normally closed
- Media temperature up to +150 °C
- Working pressure 0 to 3.5 bar steam
- Housing in brass



Product description

Differential pressure	0-3.5 bar
Max. permitted pressure	10 bar
Response time	15-60 ms
Media	Hot water and steam
Media temperature	-20 °C to +150 °C, EPDM
Ambient temperature	-20 °C to +40 °C
IP-class	IP65
Standard voltages	AC (~) 24 V-115 V-230 V/50 Hz
Connection	DIN 43650/A

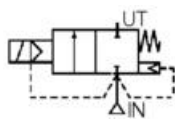
Design

Valve body	Brass
Core tube	Stainless 305SS
Core	Stainless 320FSS
Spring	Stainless 302SS
Seat	Brass
Seals	EPDM
Diaphragm	Fibreglass-reinforced EPDM

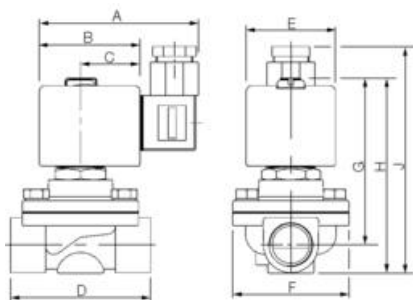
Shading ring Copper

Coil Epoxy

NC



Dimensions



Valve	A	B	C	D	E	F	G	H	J	Weight (kg)
SCE222										
B093	80	50	30	70	45	58	84	96	113	1.2
B094	80	50	30	70	45	58	84	96	112	1.2
B095	80	50	30	71	45	58	87	104	121	1.3
B154	86	56	33	95	50	83	112	132	137	2.5
B155	86	56	33	95	50	83	112	143	148	2.5
B156	86	56	33	111	50	99	125	153	158	2.5

Order number

Order number spare coil

Power	24 V AC	115 V AC	230 V AC
10.5	400425101	400452118	400425117
15.4	400525101	400525118	400525117

Order no.	Connection	Orifice	Flow factor Kv		Differential pressure bar			Power W
			m ³ /h	l/min.	min.	steam	water	
SCE222B093	3/8	16	2.6	43.3	0	3.5	10	10.5
SCE222B094	1/2	16	3.5	58.3	0	3.5	10	10.5
SCE222B095	3/4	19	4.3	71.1	0	3.5	10	10.5
SCE222B154	1	25	11.1	185.0	0	3.5	9	15.4

SCE222B155	1 1/4	28	12.8	213.0	0	3.5	9	15.4
SCE222B156	1 1/2	32	19.3	322.0	0	3.5	9	15.4

Special versions

- Other voltages
- Explosion-proof version

Accessories

- Cable connector - C18209N21A
- Mounting clamp - C038713MB

Specifications

Differential Pressure Min	0
Differential steam pressure max	3,5
Flow Factor / Flow Coefficient	2,6
Flow Max l/min Double	43,3
IP Class	IP65
Max. pressure	10
Power Consumption	10,5
Response Closing	15
Response From Stroke	60
Temperature range from	-20
Temperature range of media from	-20
Temperature range of media to	150
Temperature range to	40
Throughput	16
Weight	1,2
Voltage AC	230

