

## ASCO - 238 SERIES PILOT OPERATED

2/2

SCG238A044  
Solenoid valve 2/2 NC 3/8" 230/50

- Normally closed
- 3/8" up to 2" pipe size
- Air, inert gas & water
- Housing in brass or stainless steel
- Flow rates from 2.1 up to 34 m<sup>3</sup>/h



### Product description

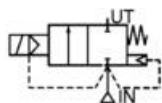
<b>Differential pressure</b>	0-10 bar
<b>Max. allowed pressure</b>	16 bar
<b>Max. viscosity</b>	40 cSt (mm <sup>2</sup> /s)
<b>Response time</b>	15-120 ms
<b>Media</b>	Water
<b>Media temperature</b>	-20 °C to +85 °C NBR (nitrile)
<b>Ambient temperature</b>	-20 °C to +75 °C (6 W coil) -20 °C to +50 °C (9/15.3 W coil)
<b>IP-class</b>	IP65
<b>Standard voltages</b>	DC (=) 24 V AC (~) 24 V-115 V-230 V/50 Hz
<b>Connection</b>	DIN 43650/A

### Design

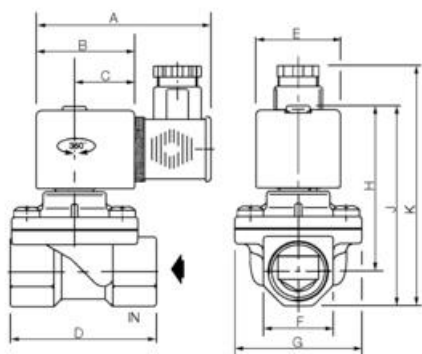
<b>Valve body</b>	Brass
<b>Core tube</b>	Stainless 305SS
<b>Core</b>	Stainless 430FSS
<b>Spring</b>	Stainless 302SS
<b>Seat</b>	Brass

Seals	NBR
Diaphragm	Fibreglass-reinforced NBR
Shading ring	Copper
Coil	Epoxy

NC



## Dimensions



Valve	A	B	C	D	E	F	G	H	J	K	Weight (kg)
SCG238A044	80	45	27.5	52	39	27	37	72	85	104	0.55
SCG238A046	80	45	27.5	52	39	27	37	72	85	104	0.5
SCG238A047	80	45	27.5	65	39	27	58	74	87	106	0.75
SCG238A048	80	45	27.5	67	39	32	58	76	92	111	0.7
SCG238A049	80	45	27.5	86	39	41	73	92	112	131	1.3
SCG238A050	80	45	27.5	86	39	41	73	92	112	131	1.2

## Order number

Item no.	Connection	Orifice	Flow factor Kv		Differential pressure bar				Power W	
			m <sup>3</sup> /h	l/min.	water					
	G	mm	m <sup>3</sup> /h	l/min.	min.	~	=	~	=	
<b>Brass housing, NBR seals</b>										
SCG238A044	3/8	12.5	2.1	35	0	10	10	6	15.3	
SCG238A046	1/2	12.5	2.1	35	0	10	10	6	15.3	
SCG238A047	1/2	19.0	4.2	70	0	10	10	6	15.3	
SCG238A048	3/4	19.0	4.5	75	0	10	10	6	15.3	
SCG238A049	3/4	25.0	10.0	166	0	10	10	9	15.3	

SCG238A050	1	25.0	10.0	166	0	10	10	9	15.3
------------	---	------	------	-----	---	----	----	---	------

#### Repair kits and coils

	Item number		Item number			
	Repair kit		Coils			
Valve	AC	DC	24 V DC	24 V AC	115 V AC	230 V AC
SCG238A044	C132486	C132487	400325242	400325101	400325118	400325117
SCG238A046	C132486	C132487	400325242	400325101	400325118	400325117
SCG238A047	C132488	C132489	400325242	400325101	400325118	400325117
SCG238A048	C132488	C132489	400325242	400325101	400325118	400325117
SCG238A049	C132490	C132491	400325242	400325201	400325218	400325217
SCG238A050	C132490	C132491	400325242	400325201	400325218	400325217

## Special versions

- Other voltages

## Accessories

- Cable connector - C18209N21

## Specifications

Differential Pressure Air Max	10
Differential Pressure Max	10
Differential Pressure Min	0
Differential Pressure Water Max	10
Flow Factor / Flow Coefficient	2,1
Flow Max l/min Double	35
IP Class	IP65
Max. pressure	16
Power Consumption	6
RSK number	4528043
Temperature range from	-20
Temperature range of media from	-20
Temperature range of media to	85
Temperature range to	75
Throughput	12,5
Weight	0,55

Viscosity Max 40

Voltage AC 230

