

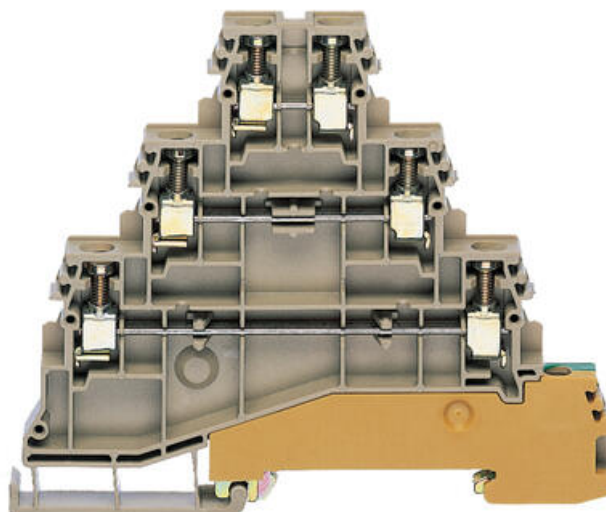
TRIPLE DECK TERMINALS - IKD 2.5MM²/VMAK

IKD, VMAK

2268.2

Terminal Block IKD 2.5sq Triple Deck Beige

- For connecting encoders or motor outputs
- Material polyamide 6.6
- Colour marked versions available
- Temperature resistance -40 °C...+150 °C
- Flammability class V2



Product description

Specifications

Additional information	with cross connection option
Approvals	CSA, CSA US, KEMA KUR, EAC
Color	Beige
Connections	6
Contamination degree	3
Country of origin	CZ
Cross connect channels	3
Cross section single wire from	0,2
Cross section single wire to	4
Cross section stranded wire from	0,2
Cross section stranded wire to	4
Cross section stranded with ferrule from	0,2
Cross section stranded with ferrule to	2,5
Cross-Section	2,5
CSA test standard	C22.2 No 158
CSAus test standard	UL 1059

EAC test standard	TR ZU 004/2011
Flamklass	UL94-V2
Height TS 32	62,8
Height TS 35/7.5	58,3
Insulation Material	Polyamide 6.6
KEMA KEUR test standard	EN 60947-7-1:2009
Length	84,8
Mounting	TS 35
Number of levels	3
Operating temperature from	-40
Operating temperature to	105
Overvoltage category	III
Pack Size	50
Plug gauge acc. EN 60 947-1	A3
Rated Current IEC	24
Rated impulse voltage	4
Rated wire cross section from (AWG)	22
Rated wire cross section to (AWG)	14
Rated Voltage IEC	250
Screw size	M 2,4
Screw type	Slotted
Stripping Length	7
Tariff code	85369010
Torque max	0,8
Torque Min	0,4
Type of terminal	Screw Terminals, DIN Rail terminals
Weight	17,18
Width	5

