

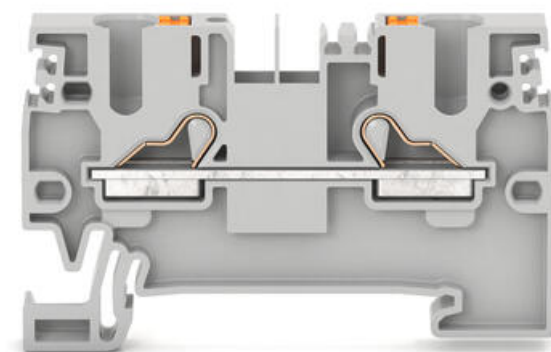
## FEED THROUGH TERMINALS - PRK 1.5-10MM

PRK

27006.6

Terminal Block PRK2.5/2A 2.5sq, Grey, Push In

- Tool free connections
- 2 to 4 connections
- 2 way cross connect channel
- Push button cable release
- Test pickoff point



### Product description

Opening the clamp to release the wire is done using the integrated insulated plunger that insures that actuating the clamping spring is completely safe. This gives you a noticeable time advantage during the wiring process. The extremely compact terminals ensure a high current carrying capacity, a secure fit and the highest level of stability on the rail. The new feed-through and protective earth terminals will be available in six cross-section ranges from 1.5 mm<sup>2</sup> to 16 mm<sup>2</sup> in 2, 3 and 4-wire connection variants for wire cross-sections of 0.34 mm<sup>2</sup> to 25 mm<sup>2</sup>. The addition of double and triple deck terminals is also available in this growing range.

### Specifications

|                                                 |         |
|-------------------------------------------------|---------|
| <b>Color</b>                                    | Grey    |
| <b>Connections</b>                              | 2       |
| <b>Contamination degree</b>                     | 3       |
| <b>Country of origin</b>                        | CZ      |
| <b>Cross connect channels</b>                   | 2       |
| <b>Cross section single wire from</b>           | 0,14    |
| <b>Cross section single wire to</b>             | 4       |
| <b>Cross section stranded wire from</b>         | 0,14    |
| <b>Cross section stranded wire to</b>           | 2,5     |
| <b>Cross section stranded with ferrule from</b> | 0,14    |
| <b>Cross section stranded with ferrule to</b>   | 2,5     |
| <b>Cross-Section</b>                            | 2,5     |
| <b>Flamklass</b>                                | UL94-V0 |

|                                      |                         |
|--------------------------------------|-------------------------|
| <b>Height</b>                        | 35,2                    |
| <b>Height TS 35/7.5</b>              | 36,7                    |
| <b>Insulation Material</b>           | Polyamide 6.6           |
| <b>Length</b>                        | 48,5                    |
| <b>Mounting</b>                      | Mounting rail TS 35/7.5 |
| <b>Number of levels</b>              | 1                       |
| <b>Number of terminals per level</b> | 2                       |
| <b>Operating temperature from</b>    | -40                     |
| <b>Operating temperature to</b>      | 120                     |
| <b>Overvoltage category</b>          | III                     |
| <b>Pack Size</b>                     | 50                      |
| <b>Plug gauge acc. EN 60 947-1</b>   | A3                      |
| <b>Rated Current IEC</b>             | 24                      |
| <b>Rated impulse voltage</b>         | 6                       |
| <b>Rated wire cross section from</b> | 26                      |
| <b>Rated wire cross section to</b>   | 12                      |
| <b>Rated Voltage IEC</b>             | 800                     |
| <b>Stripping Length</b>              | 10                      |
| <b>Tariff code</b>                   | 85369010                |
| <b>Weight</b>                        | 5,98                    |
| <b>Width</b>                         | 5,1                     |

