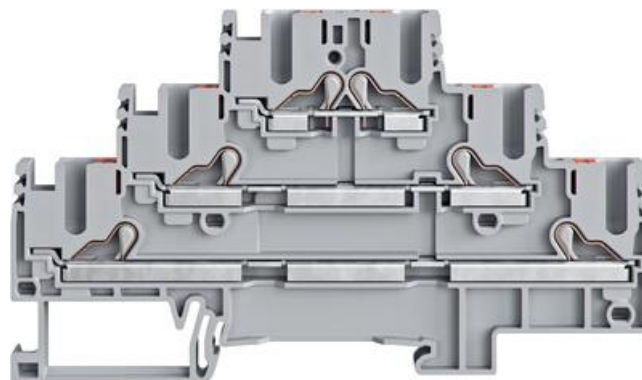


TRIPLE DECK TERMINALS - PIKD 2.5MM², PVMAK

PIKD, PVMAK

27039.6

Terminal Block PIKD2.5 2.5sq Triple Deck Grey, Push In



- Push In technology
- Linked versions
- Colour marked
- Earth versions
- Motor connection terminal

Product description

The compact and innovative connectors ensure high current carrying capacity, a pull-resistant connection and a very stable fixing to the DIN rail. PIKD connectors are triple-layer connectors with a nominal wire size of 2.5mm². The current carrying capacity is 22 amperes and the maximum wire size is 4mm² without terminal sleeve. Several variants of the connector are available, bushing connector all levels at different potentials, bushing and earthing connector at one potential, as well as PE/L/L, PE/L/N, L/L/N combinations.

Specifications

Connections	2 x 3
Contamination degree	3
Country of origin	CZ
Cross connect channels	3
Cross section single wire from	0,14
Cross section single wire to	4
Cross section stranded wire from	0,14
Cross section stranded wire to	2,5
Cross section stranded with ferrule from	0,14
Cross section stranded with ferrule to	2,5
Cross-Section	2,5
Flammability class	UL94-V0
Height	56,2
Height TS 35/7.5	57,7
Length	102
Number of levels	3

Number of terminals per level	2
Operating temperature from	-40
Operating temperature to	120
Overvoltage category	III
Pack Size	50
Plug gauge acc. EN 60 947-1	A3
Rated Current IEC	20
Rated impulse voltage	6
Rated wire cross section from	26
Rated wire cross section to	12
Rated Voltage IEC	500
Stripping Length	10
Tariff code	85369010
Weight	18,85
Width	5,1

