

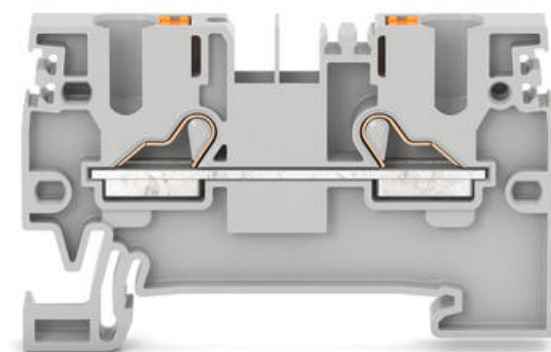
FEED THROUGH TERMINALS - PRK 1.5-10MM

PRK

27006.6

Terminal Block PRK2.5/2A 2.5sq, Grey, Push In

- Tool free connections
- 2 to 4 connections
- 2 way cross connect channel
- Push button cable release
- Test pickoff point



Product description

Opening the clamp to release the wire is done using the integrated insulated plunger that insures that actuating the clamping spring is completely safe. This gives you a noticeable time advantage during the wiring process. The extremely compact terminals ensure a high current carrying capacity, a secure fit and the highest level of stability on the rail. The new feed-through and protective earth terminals will be available in six cross-section ranges from 1.5 mm² to 16 mm² in 2, 3 and 4-wire connection variants for wire cross-sections of 0.34 mm² to 25 mm². The addition of double and triple deck terminals is also available in this growing range.

Specifications

Connections	2
Contamination degree	3
Country of origin	CZ
Cross connect channels	2
Cross section single wire from	0,14
Cross section single wire to	4
Cross section stranded wire from	0,14
Cross section stranded wire to	2,5
Cross section stranded with ferrule from	0,14
Cross section stranded with ferrule to	2,5
Cross-Section	2,5
Flammability class	UL94-V0
Height	35,2

Height TS 35/7.5	36,7
Length	48,5
Number of levels	1
Number of terminals per level	2
Operating temperature from	-40
Operating temperature to	120
Overvoltage category	III
Pack Size	50
Plug gauge acc. EN 60 947-1	A3
Rated Current IEC	24
Rated impulse voltage	6
Rated wire cross section from	26
Rated wire cross section to	12
Rated Voltage IEC	800
Stripping Length	10
Tariff code	85369010
Weight	5,98
Width	5,1

