

TAKEX - F71 FIBRE AMPLIFIER WITH POTENTIOMETER SETTING

F71R-PNP
FIBRE OPTIC AMPLIFIER RED PNP

- Interference protection for up to 8 amplifiers, not F71RH
- Fast reaction time F71RH 30 μ s
- Potentiometer setting (8 revolutions)
- Small construction dimensions (9 mm)



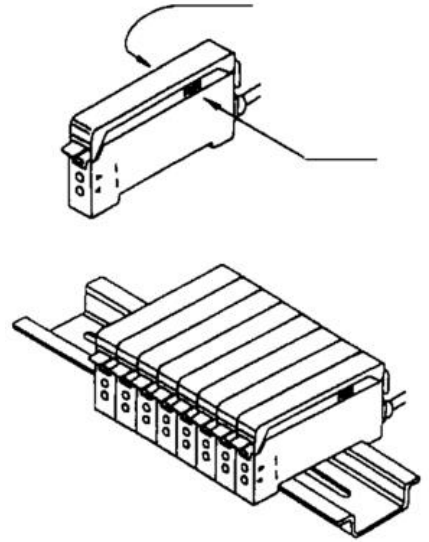
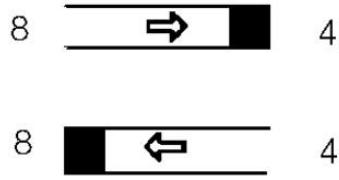
Product description

A space-saving amplifier with a simple 8-turn potentiometer and scale for setting. Onboard optical interference protection for up to 8 units (not applicable to F71RH). The interference protection means that the amplifiers do not react to one another's light, which is a problem when there are several adjacent detection points. F71RH has a fast reaction time, which is useful when - for example - you want to detect a colour marking on a fast rail or detect numbers of revolutions at high speeds. LED indication for output signal and for stable input signal. Light/dark on, time function and alarm output.

Specifications

Approvals	CE
IP Class	IP40
Light / Dark Switching	Yes
Output current max	0,1
Power consumption max	0,04
Reaction time	0,25
Temperature range from	-25
Temperature range to	55
Voltage DC max	24
Voltage DC min	12





PNP output

