

TAKEX - F80 FIBRE AMPLIFIER WITH LARGE DIGITAL DISPLAY AND LONG DISTANCES

F80R-PNP
FIBRE OPTIC AMPLIFIER RED PNP

- Large digital display
- Long distances/fast reaction time
- Teach In



Product description

The F80 amplifier has a large, clear display which facilitates the reading of incoming light. On this amplifier, you can choose whether you want long detection distances or a fast reaction time. Reading takes place with Teach In via the green button on the amplifier. You also have the option of manually changing the value on the amplifier to the level at which you want your output signal.

Specifications

Approvals	CE
IP Class	IP40
Light / Dark Switching	Yes
Output current max	0,1
Power consumption max	0,032
Reaction time	0,19
Temperature range from	-25
Temperature range to	55
Voltage DC max	24
Voltage DC min	12

● Response time

Long-distance mode 1.8ms
High-speed mode 190µs

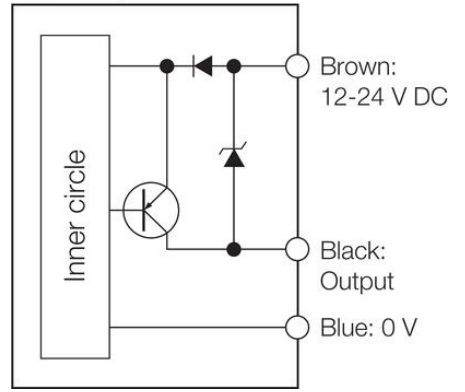
● Sensing distance (with fibre optic cable FR105BC)

Long-distance mode 570mm
High-speed mode 320mm

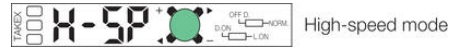
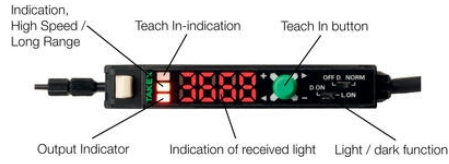
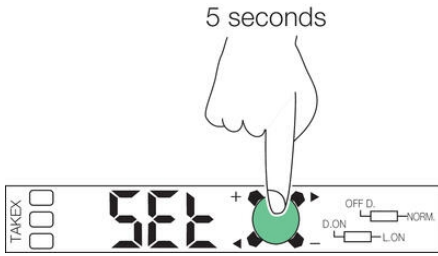


Level indication, received light

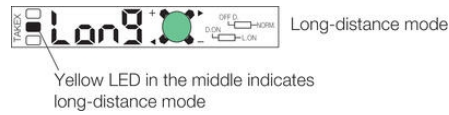
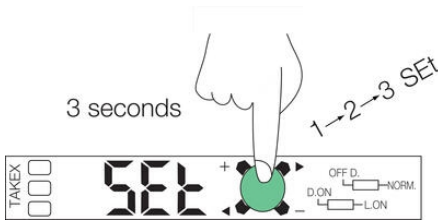
PNP-output



5 seconds



3 seconds



3 seconds

