



SUCO - 0184/0185 PRESSURE SWITCH

IP65

0184457031003

0,3..1,5 bar, G1/4, CO, NBR, DIN

- Up to 250 V
- Connector included (DIN 43650/Form A)
- Five adjustment ranges from 0,3..1,5 bar to 50..200 bar
- Changeover (SPDT)
- Over pressure safety from 100 bar up to 600 bar



Product description

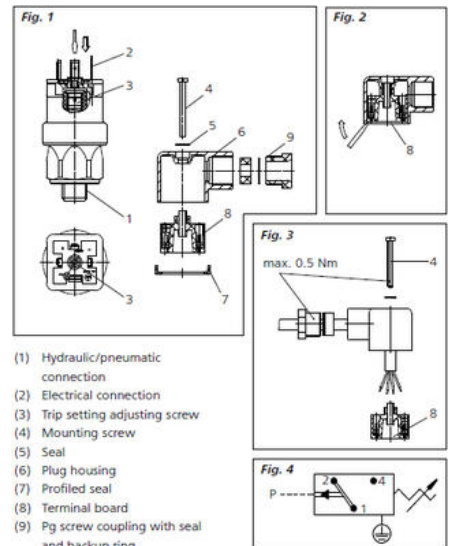
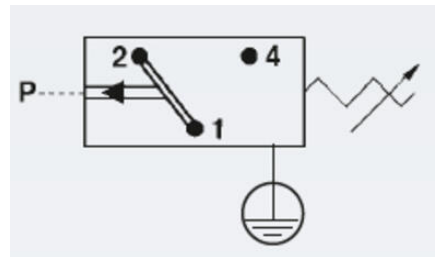
The 0184/0185 series is part of the changeover contact range from SUCO with an integrated plastic body and connector. Offering a maximum voltage of 250 V with a normally open and normally closed contact housed in a hex 27 zinc plated body offering a high pressure resistance. The switch point is very stable even after a long period of time and high load and is also adjustable on site and can come pre-set.

Common applications include power packs, mobile hydraulics, water systems, hydraulics generally and pneumatics.

Specifications

Adjustment range max	1,5
Adjustment range min	0,3
Approvals	CSA US, RoHS II
Contact load max ac	4
Contact load max dc	0,25
Deviation max	±0,2
Electrical connection	DIN EN 175301-803-A
Function	Changeover (SPDT)
IP Class	IP65
Material of body	Galvanized steel
Materials Wetted Parts	Galvanized steel, NBR
Max switching frequency/min	200
Max. pressure	100

Membrane Material	NBR
Pressure Range Max	1,5
Pressure Range Min	0,3
Process connection	1/4 BSP
Temperature ambient from	-20
Temperature ambient to	80
Temperature range of media from	-30
Temperature range of media to	100
Type Pressure Switch	High accuracy
Weight	130
Voltage AC / DC Max	250
Voltage AC / DC Min	10



- (1) Hydraulic/pneumatic connection
- (2) Electrical connection
- (3) Trip setting adjusting screw
- (4) Mounting screw
- (5) Seal
- (6) Plug housing
- (7) Profiled seal
- (8) Terminal board
- (9) Pg screw coupling with seal and backup ring

