

## MOLEX - M12 OVERMOULDED CONNECTOR CABLES FEMALE

804000E03M020  
MMC-4P-FE-ST-2M-PVC

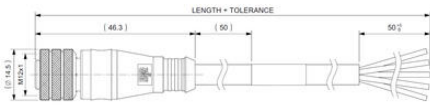
- Screw connection
- Anti-vibration Nut
- PVC, PUR / PVC or TPU cable



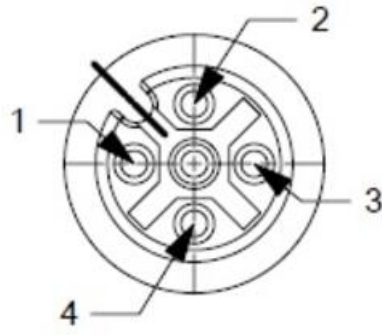
### Product description

### Specifications

<b>Approvals</b>	CSA 22.2, UL
<b>Cable diameter</b>	5,4 +0,30/-0,10 mm
<b>Cable length</b>	2
<b>Coding</b>	A
<b>Cross-Section</b>	0,34
<b>Current max</b>	4
<b>IP Class</b>	IP67
<b>Manufacturer Part No</b>	1200060014
<b>Number of poles</b>	4
<b>Temperature Range Flexible Use Of</b>	-10
<b>Temperature Range For Flexible Use</b>	80
<b>Temperature Range The Use Of</b>	-30
<b>Temperature Range The Use Of</b>	80
<b>Weight</b>	119
<b>Voltage Max</b>	250



# 4 POLE



Pin	Wire color
1	BN
2	WH
3	BU
4	BK