

## IDEM LOCKING SWITCH KL1-P

221005

KL1-P ½NPT 110v LED only

- Electric release
- 4 key entry positions
- 1 or 2 x LED indicator
- Locking force up to 1400 N
- Compact dimensions 63 mm x 143 mm



### Product description

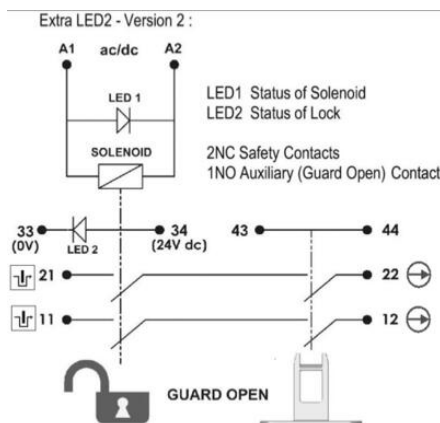
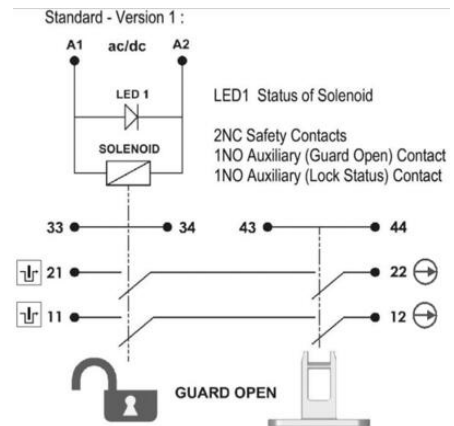
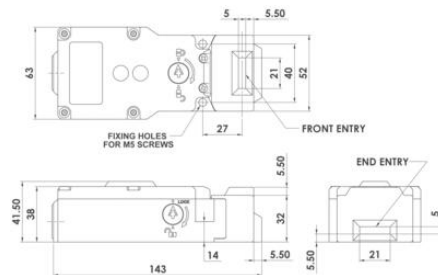
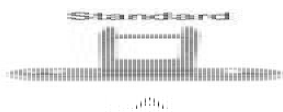
Locking switch with locking LEILOCK KL1-P, made of plastic (polyester), with locking force up to 1400N. The breaker head is made of stainless steel. The switch has 1 or 2 LEDs that show the status of the solenoid and the state of the blockage. It also has a rotatable head, which provides 4 key entry positions for easy and flexible mounting. The KL1-P switch has a standard spacing between the mounting holes - 40 mm.

In the event of a voltage drop, the switch can be opened in an emergency without any special keys. The switch is available in the version: voltage release.

### Specifications

<b>Actuator</b>	Not included
<b>Annual usage</b>	8 cycles per hour/24 hours per day/365 days
<b>Approvals</b>	ISO 13849-1, ISO 14119, EN60204-1, EN62061, EN60947-5-1, UL 508
<b>Conduit entry</b>	1/2" NPT
<b>Contact Type</b>	2NC safety contacts, 1NO auxiliary contact (guard open), 1NO auxiliary contact (lock open)
<b>Contacts</b>	2NC 2NO
<b>Holding force (F1Max)</b>	1400
<b>IP Class</b>	IP67
<b>LED Display</b>	LED1 solenoid power
<b>LED supply voltage</b>	24Vdc
<b>Manual Operation</b>	Standard manual release lid and side
<b>Maximum approach / withdrawal speed</b>	600
<b>Mechanical reliability B10d</b>	2.5 x 10 <sup>6</sup> operations at 100mA load

<b>Mounting</b>	2 x M5
<b>MTTFd</b>	356 years
<b>Operating temperature</b>	-25..50°C
<b>PFHd</b>	$3.44 \times 10^{-8}$
<b>PL</b>	e acc. ISO13849-1
<b>Rated insulation voltage</b>	600V ac
<b>SIL</b>	3 acc. EN62061
<b>Solenoid Voltage</b>	110V ac
<b>Thermal current (Ith)</b>	5
<b>Travel for positive opening</b>	10
<b>Utilisation category</b>	AC15, A300, 3 A
<b>Withstand voltage</b>	2500V ac



	6.0	5.0	0mm
11/12	Open		
21/22	Open		
33/34			Open
43/44			Open