

CROUZET SWITCHES - TIGHT V4 IP67

83186001
831860 C/O W2S.

- Nominal rated current from 0.1 A to 10 A/250 V ac
- Min. rated current 1 mA/4 V dc
- Two possible control arm installation positions

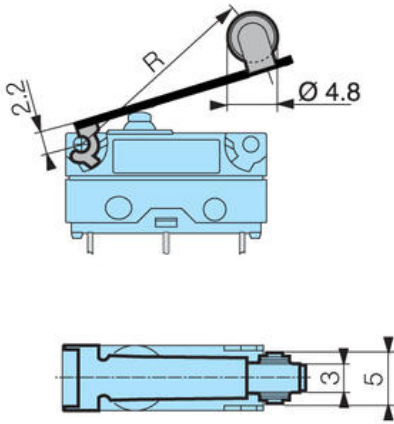


Product description

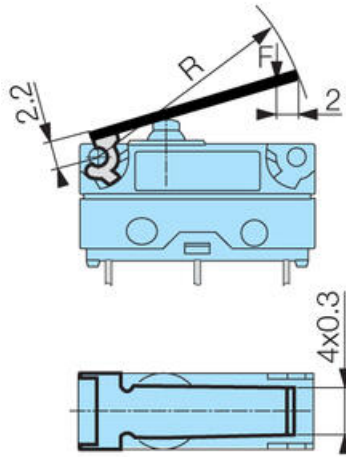
Specifications

Allowable Operating Force Max	10
Connection Thread	W2S
Contact Gap	0,4
Contact type	Changeover (SPDT)
Hysteresis Max	0,15
IP Class	IP67, IP69
Operating Force Max	2,5
Operating Power Total Max	4,2
Over Movement My	0,6
Rated current at 250 V AC	6
Return Movement Force Min	0,8
Sleep Max	9,3
Switching Point	8,4±0,3 mm
Temperature range from	-40
Temperature range to	125
Thermal current at 250 V AC	7,5

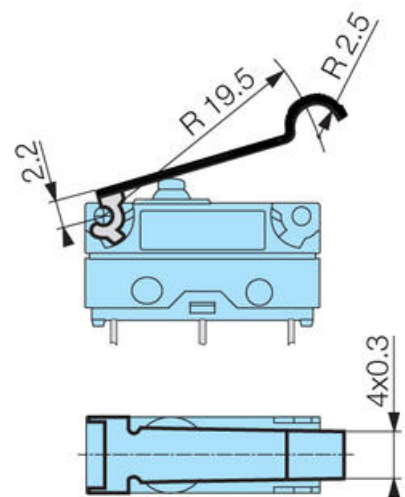
170 E
Arm with roll



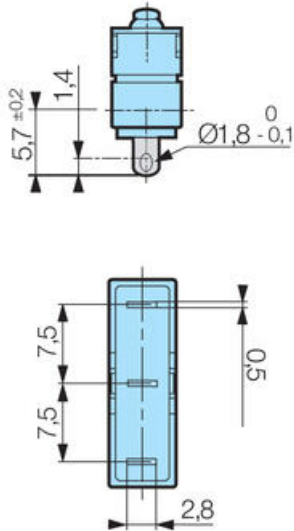
170 A
Straight-arm



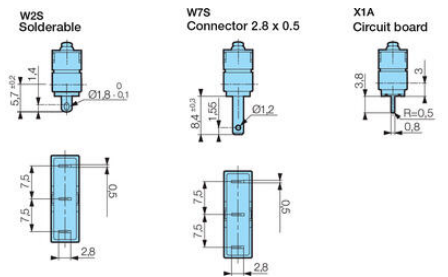
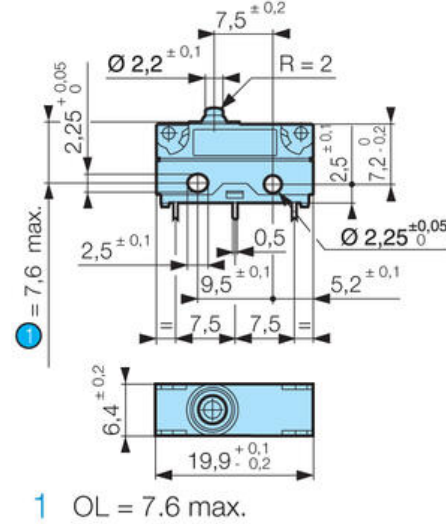
170 F
Arm with simulated scroll



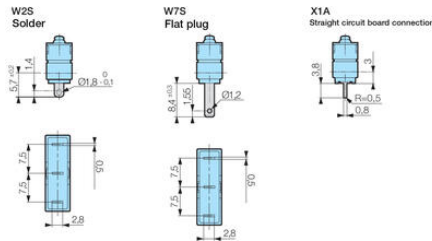
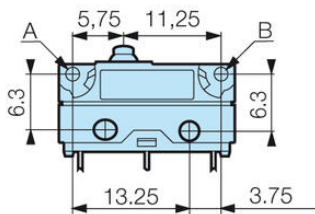
W2S
Solder



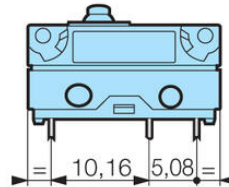
Symmetric version
type 83 180/181/183/186



Mounting bracket

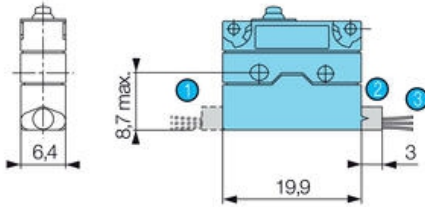


Asymmetric version
typ 83 180/181/183/186



Attached with 2 M2 screws
Torque with screw only:
0.2 Nm, with screw + washer: 0.3 Nm

Cable Outputs

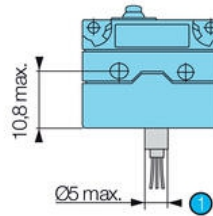


- 1 FG0
- 2 FD0
- 3 Standard 500 mm

Black = Common
 Gray = NC
 Blue = NO

Cross section:
 83181 / 83 183 / 83 186 = 0.5 mm²
 83 180 = 0.75 mm²

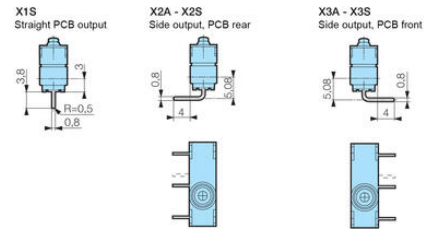
Cable outlet B0 cable outlet on the bottom



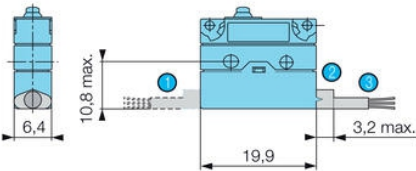
- 1 Standard 500 mm

Black = Common
 Gray = NC
 Blue = NO

Cross section:
 83181 / 83 183 / 83 186 = 0.5 mm²
 83 180 = 0.75 mm²



Cable Outputs

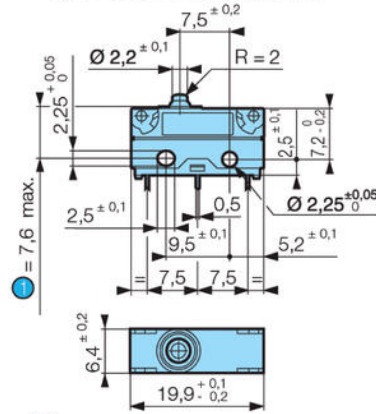


- 1 CG0
- 2 CD0
- 3 Standard 500 mm

Black = Common
 Gray = NC
 Blue = NO

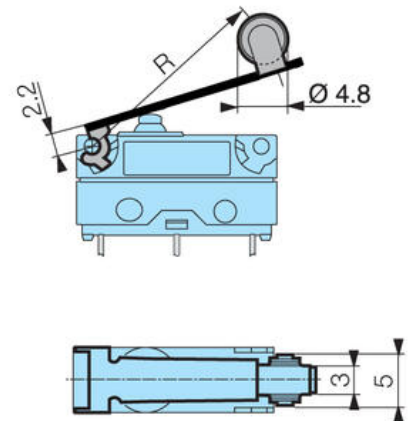
Cross section:
 83181 / 83 183 / 83 186 = 3 x 0.5 mm²

Symmetric version type 83 180/181/183/186

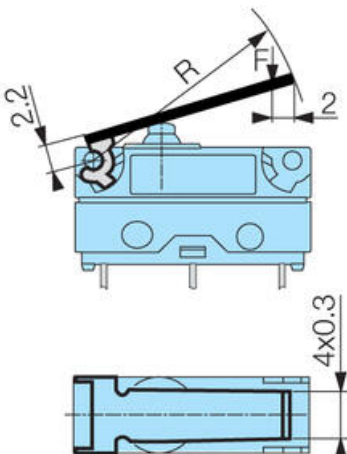


- 1 OL = 7.6 max.

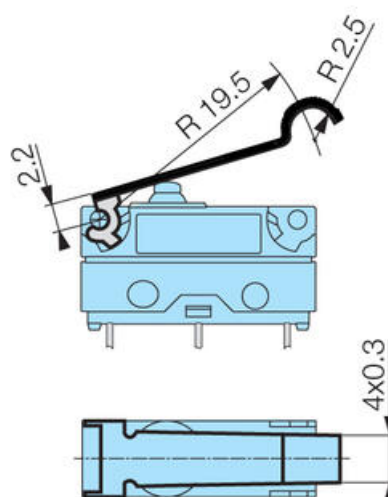
170 E Arm with roll



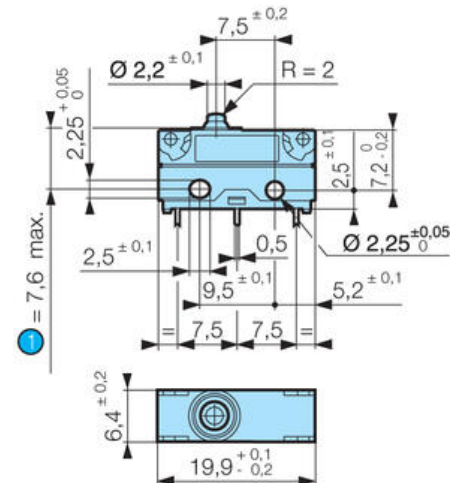
170 A Straight-arm



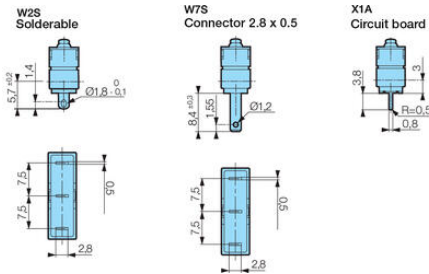
170 F Arm with simulated scroll



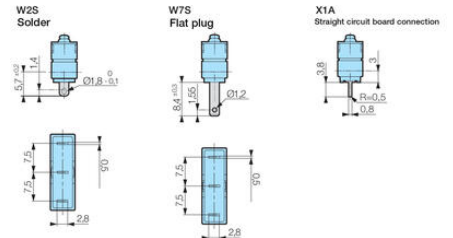
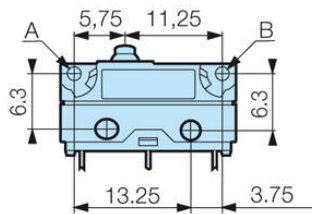
Symmetric version type 83 180/181/183/186



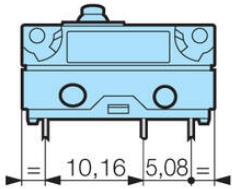
- 1 OL = 7.6 max.



Mounting bracket

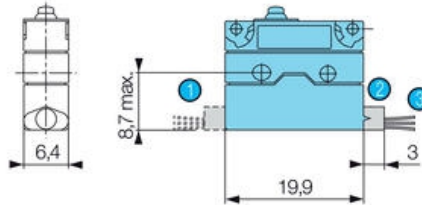


Asymmetric version typ 83 180/181/183/186



Attached with 2 M2 screws
Torque with screw only:
0.2 Nm, with screw + washer: 0.3 Nm

Cable Outputs

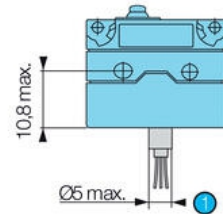


- 1 FG0
- 2 FD0
- 3 Standard 500 mm

Black = Common
Gray = NC
Blue = NO

Cross section:
83181 / 83 183 / 83 186 = 0.5 mm²
83 180 = 0.75 mm²

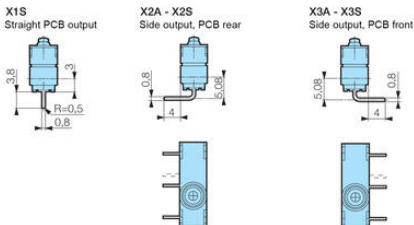
Cable outlet B0 cable outlet on the bottom



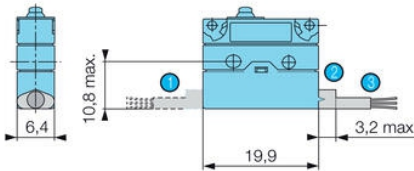
- 1 Standard 500 mm

Black = Common
Gray = NC
Blue = NO

Cross section:
83181 / 83 183 / 83 186 = 0.5 mm²
83 180 = 0.75 mm²



Cable Outputs

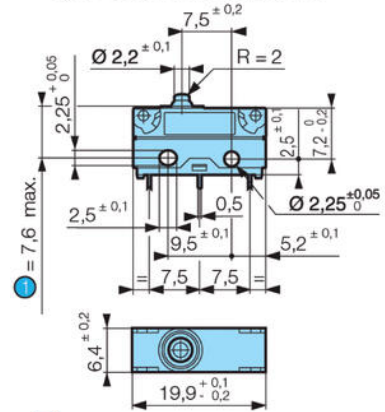


- 1 CG0
- 2 CD0
- 3 Standard 500 mm

Black = Common
Gray = NC
Blue = NO

Cross section:
83181 / 83 183 / 83 186 = 3 x 0.5 mm²

Symmetric version type 83 180/181/183/186



- 1 OL = 7.6 max.