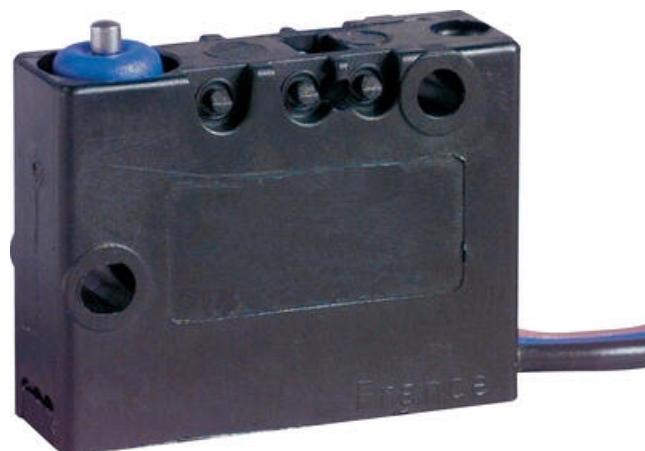


CROUZET SWITCHES - MICROSWITCH, TIGHT V3, IP67

83169001

Microswitch CO 0,5m left

- Nominal rated current from 0.1 A to 10 A/250 V ac
- Lowest rated current 1 mA/4 V dc
- Cable output left or right

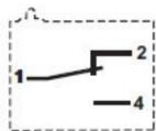


Product description

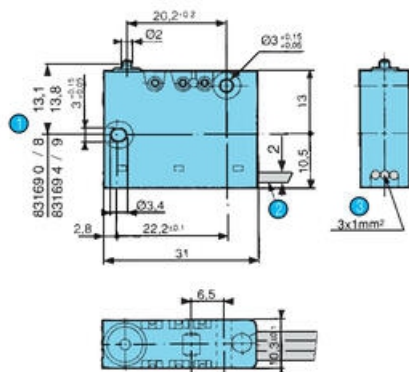
Specifications

Allowable Operating Force Max	20
Cable length	500
Connection Thread	Leader exit left
Contact Gap	0,4
Contact type	Changeover (SPDT)
Hysteresis Max	0,35
IP Class	IP67, IP69
Operating Force Max	4,5
Operating Power Total Max	8
Over Movement My	1
Rated current at 250 V AC	8
Return Movement Force Min	1
Sleep Max	15,9
Switching Point	14,7±0,3 mm
Temperature range from	-40
Temperature range to	105
Thermal current at 250 V AC	10

Single break snap-action switch
Changeover - SPDT (form C)

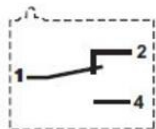


Cable outlet

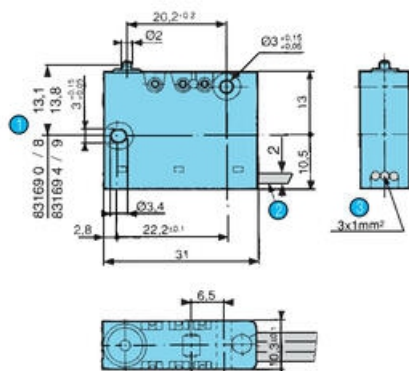


- 1 OL = 13.1
- 2 Right exit
- 3 Cable 1 mm²
 - 1 = black cable (common)
 - 2 = brown cable (NC)
 - 4 = gray cable (NO)

Single break snap-action switch
Changeover - SPDT (form C)



Cable outlet



- 1 OL = 13.1
- 2 Right exit
- 3 Cable 1 mm²
 - 1 = black cable (common)
 - 2 = brown cable (NC)
 - 4 = gray cable (NO)