

CROUZET SWITCHES - MICROSWITCH 83 123

83123018
831230 C/O 0.50M



- IP66
- Extremely compact dimensions
- Supplied complete with cable and mounting plate

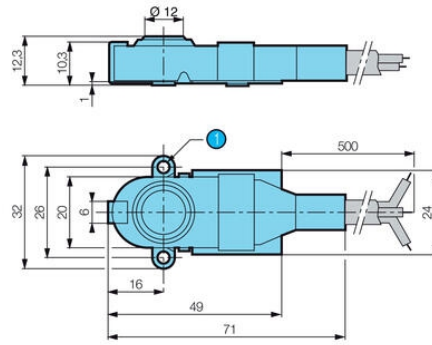
Product description

Specifications

Allowable Operating Force Max	30
Cable length	500
Contact Gap	0,5
Contact type	Changeover (SPDT)
Hysteresis Max	0,2
IP Class	IP66, IP67, IP69
Operating Force Complete My	8
Operating Force Max	7,5
Over Movement My	0,25
Rated current at 250 V AC	5
Return Movement Force Min	1,5
Switching Point	11,4 ±0,4 mm
Temperature range from	0
Temperature range to	85
Thermal current at 250 V AC	12
Voltage AC max	250



83 123 Standard



1 2 hole $\varnothing 3.2$

Principles

Single break snap-action switch

Charger: SPST (form C)



Normally closed - SPST NC (form B)



Normally open - SPST NO (form A)

