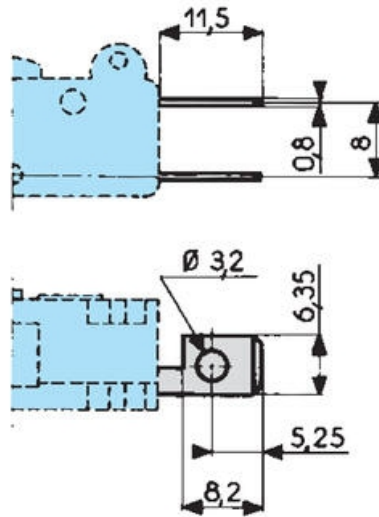
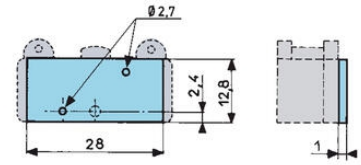


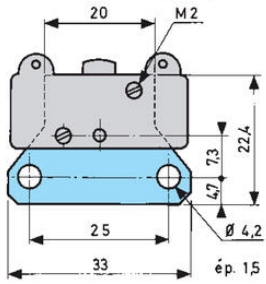
W3 for 6.35 mm clips



Y (on request)
side plate



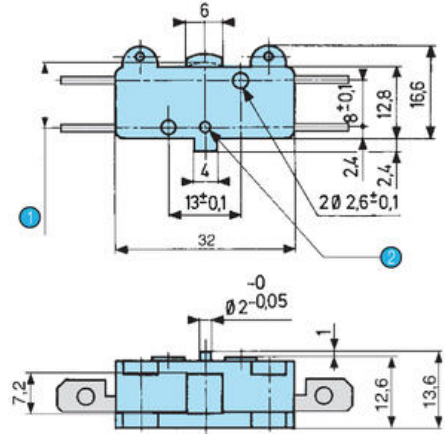
H Horizontal single pole mounting plate



Without indication, the thickness of the plate is 1.5 mm

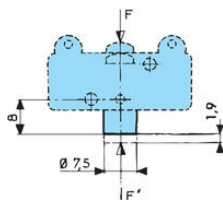


83 106

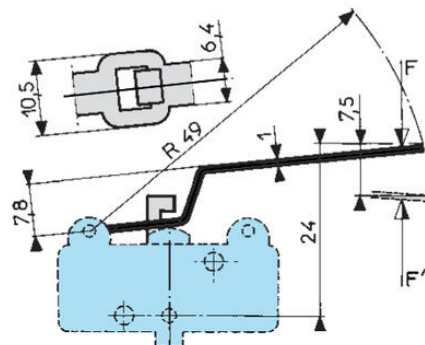


- 1 OL = 10.65
- 2 Ø 2^{+0.01 +0.65} depth 1.2

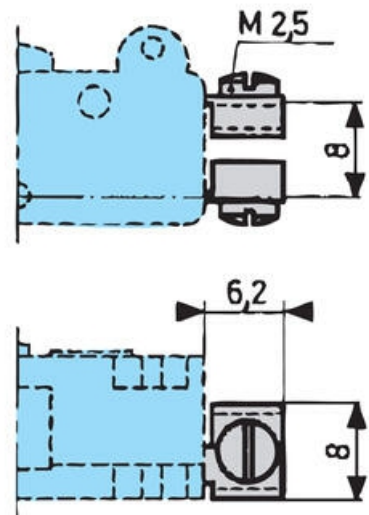
83 106 7



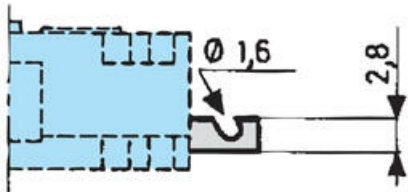
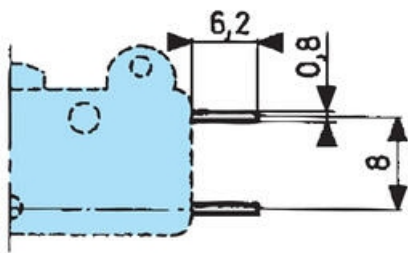
83 106 4



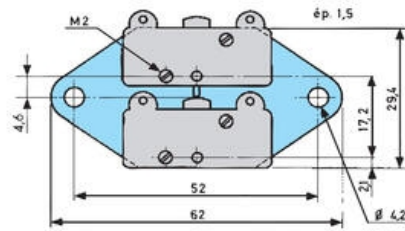
W1 screw



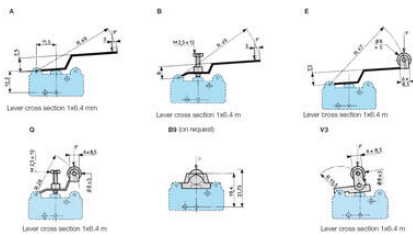
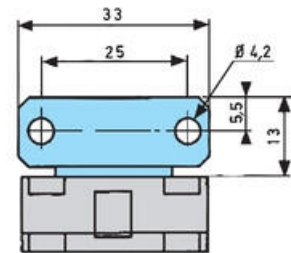
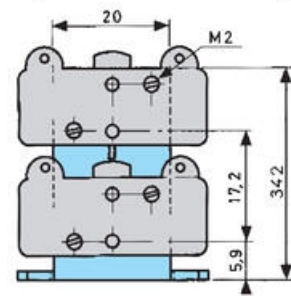
W2 solder



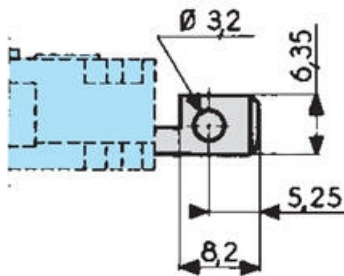
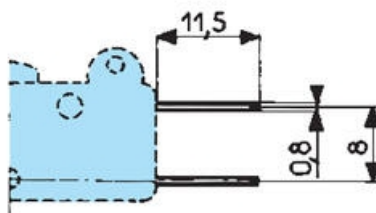
O2 2-pole side mounting plate



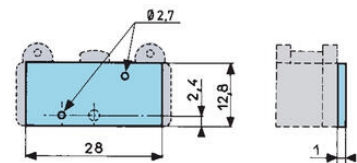
K2 (on request) 2-pole vertical mounting plate



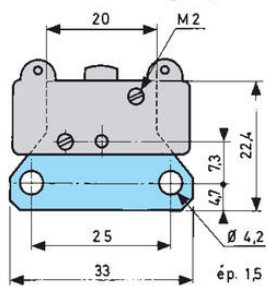
W3 for 6.35 mm clips



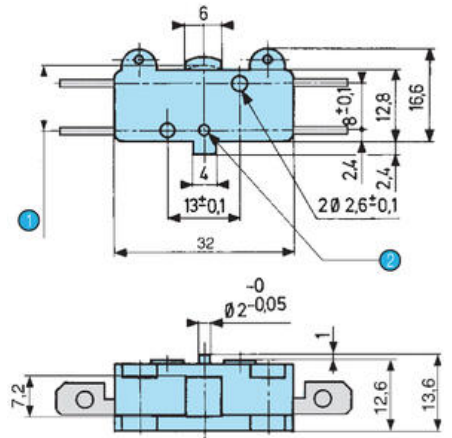
Y (on request) side plate



H Horizontal single pole mounting plate

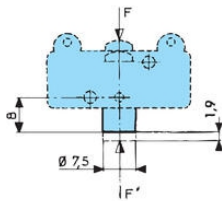


Without indication, the thickness of the plate is 1.5 mm

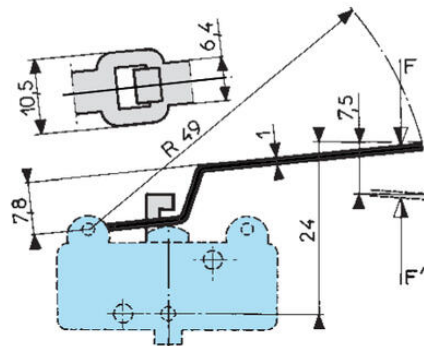


- 1 OL = 10.65
- 2 Ø 2^{+0,01 +0,65} depth 1.2

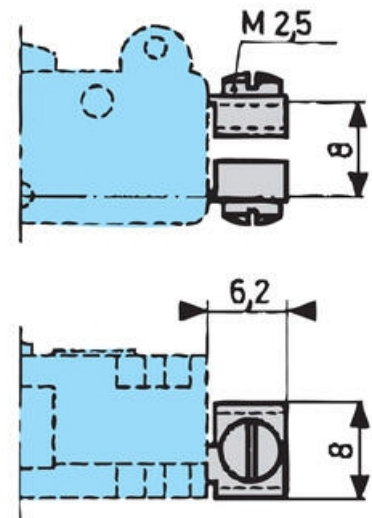
83 106 7



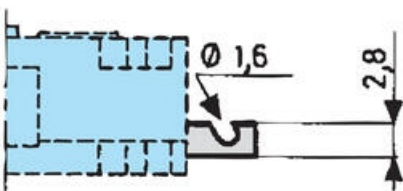
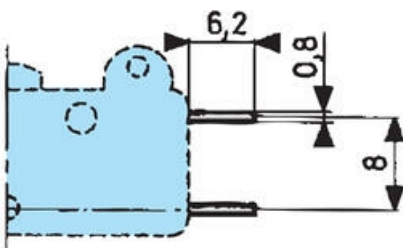
83 106 4



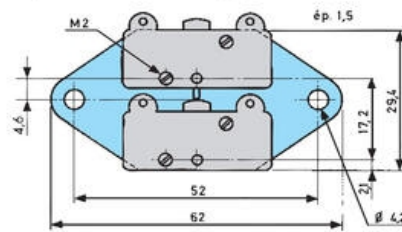
W1 screw



W2 solder



O2 2-pole side mounting plate



K2 (on request) 2-pole vertical mounting plate

