

## CROUZET SWITCHES - V3

83161102  
831611 C/O W2

- Rated data 0.1 A to 20 A/250 V ac
- Operating temperature up to +125 °C
- Compliant with standards EN 61058 and UL 1054
- Four different control arm installation options

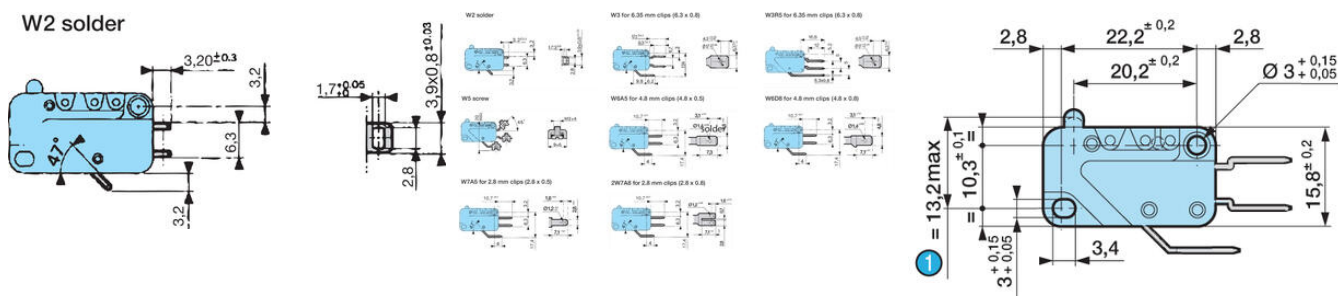


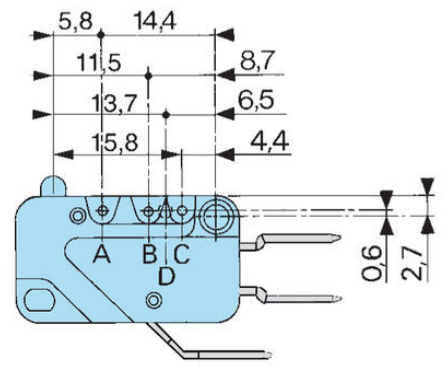
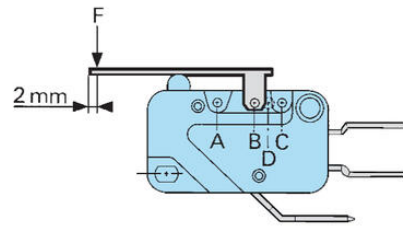
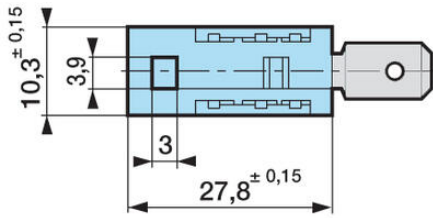
### Product description

### Specifications

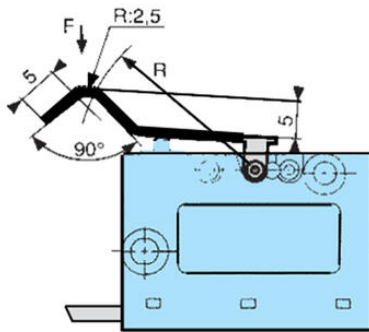
<b>Allowable Operating Force Max</b>	20
<b>Contact Gap</b>	0,4
<b>Hysteresis Max</b>	0,35
<b>IP Class</b>	IP40
<b>Operating Force Max</b>	3
<b>Operating Power Total Max</b>	4,5
<b>Over Movement My</b>	1,1
<b>Rated current at 250 V AC</b>	16
<b>Return Movement Force Min</b>	1
<b>Sleep Max</b>	16,1
<b>Switching Point</b>	14,7±0,4 mm
<b>Temperature range from</b>	-60
<b>Temperature range to</b>	125
<b>Thermal current at 250 V AC</b>	20

### W2 solder

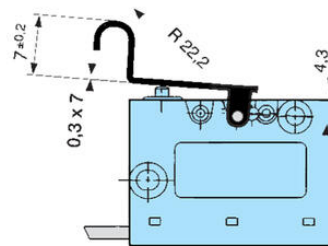




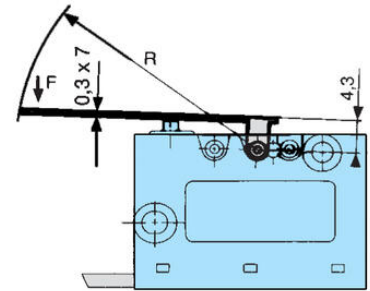
161 F



161 G



161 A



161 E

