

CROUZET SWITCHES - TIGHT V4 IP67

83186001
831860 C/O W2S.

- Nominal rated current from 0.1 A to 10 A/250 V ac
- Min. rated current 1 mA/4 V dc
- Two possible control arm installation positions

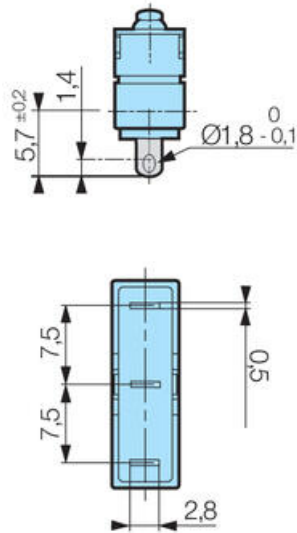


Product description

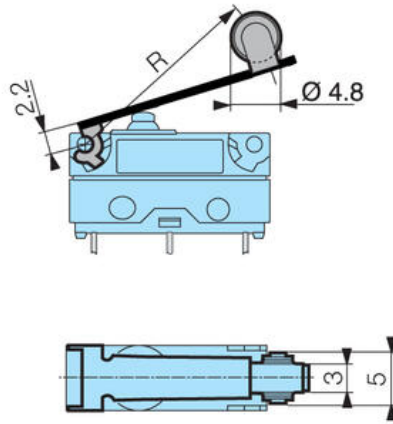
Specifications

Allowable Operating Force Max	10
Contact Gap	0,4
Hysteresis Max	0,15
IP Class	IP67, IP69
Operating Force Max	2,5
Operating Power Total Max	4,2
Over Movement My	0,6
Rated current at 250 V AC	6
Return Movement Force Min	0,8
Sleep Max	9,3
Switching Point	8,4±0,3 mm
Temperature range from	-40
Temperature range to	125
Thermal current at 250 V AC	7,5

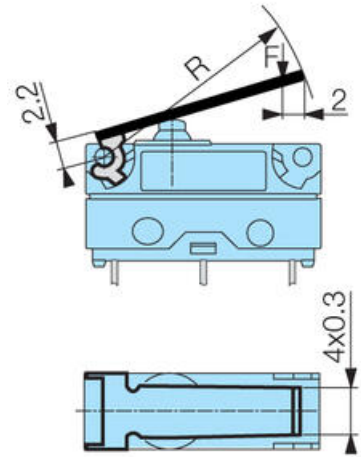
**W2S
Solder**



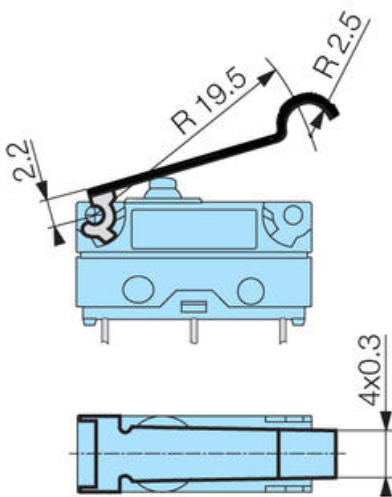
**170 E
Arm with roll**



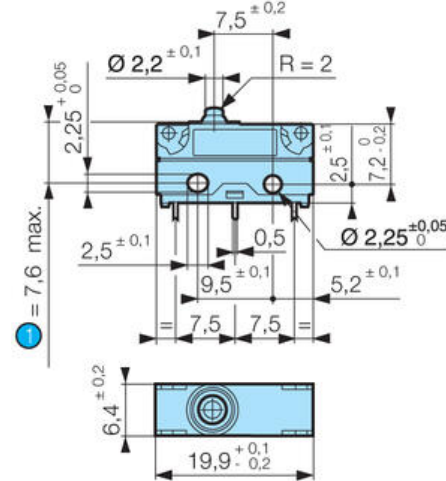
**170 A
Straight-arm**



**170 F
Arm with simulated scroll**

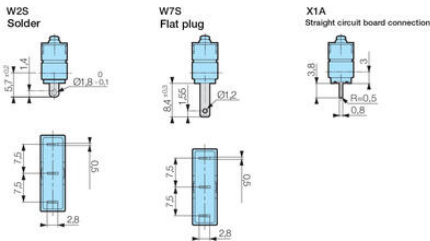
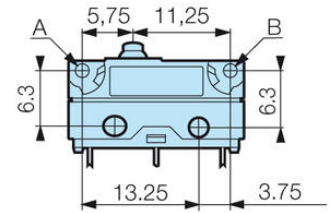


**Symmetric version
type 83 180/181/183/186**

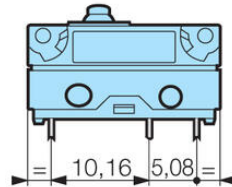


1 OL = 7.6 max.

Mounting bracket

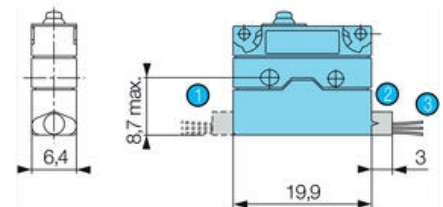


**Asymmetric version
typ 83 180/181/183/186**



Attached with 2 M2 screws
Torque with screw only:
0.2 Nm, with screw + washer: 0.3 Nm

Cable Outputs

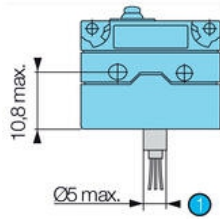


- 1 FG0
- 2 FDO
- 3 Standard 500 mm

Black = Common
Gray = NC
Blue = NO

Cross section:
83181 / 83 183 / 83 186 = 0.5 mm²
83 180 = 0.75 mm²

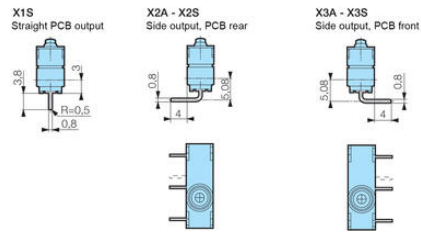
Cable outlet
B0 cable outlet on the bottom



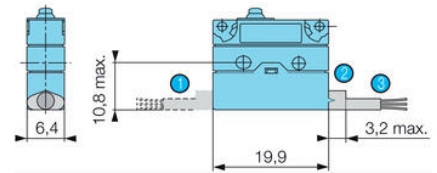
1 Standard 500 mm

Black= Common
 Gray = NC
 Blue= NO

Cross section:
 83181 / 83 183 / 83 186 = 0.5 mm²
 83 180 = 0.75 mm²



Cable Outputs

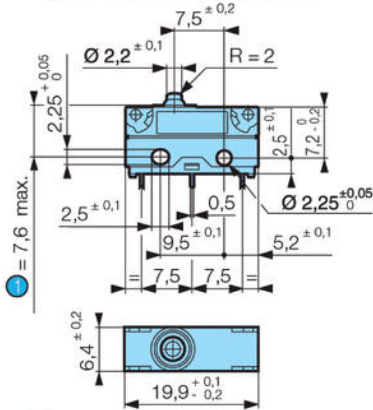


- 1 CG0
- 2 CD0
- 3 Standard 500 mm

Black = Common
 Gray = NC
 Blue = NO

Cross section:
 83181 / 83 183 / 83 186 = 3 x 0.5 mm²

Symmetric version
type 83 180/181/183/186



1 OL = 7.6 max.

