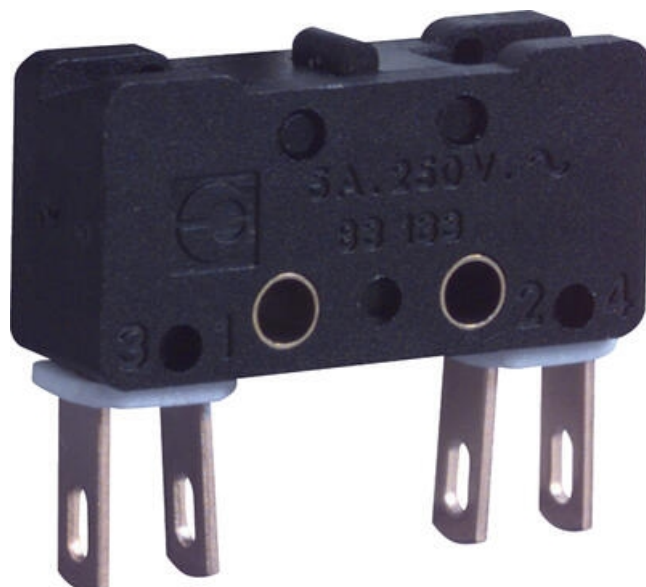


CROUZET SWITCHES - 83132 DOUBLE BREAKING MINIATURE

83132030
831320 D/BRK W2

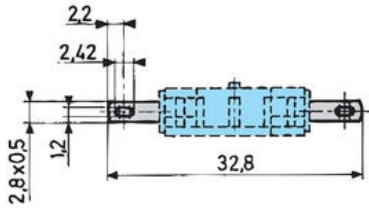
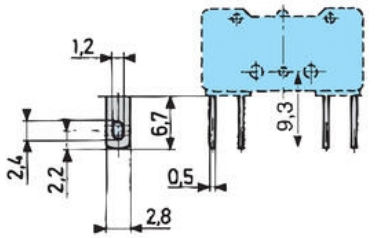
- Double breaking function/two-pole microswitch
- Connections in three different directions
- Option of actuating several switches in the same control movement



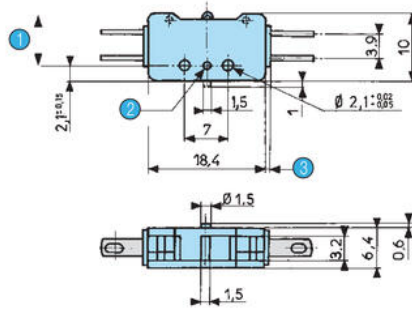
Product description

Specifications

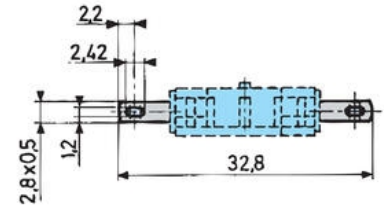
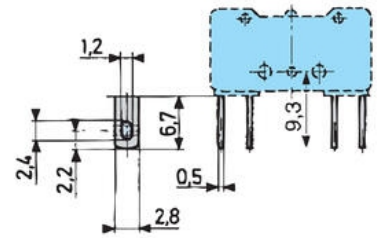
Allowable Operating Force Max	10
Contact gap	0,3 x 2 mm
Hysteresis Max	0,45
IP Class	IP40
Operating Force Max	1,6
Over Movement My	0,27
Rated current at 250 V AC	6
Return Movement Force Min	0,4
Sleep Max	8,45
Switching Point	7,7±0,2 mm
Temperature range from	-40
Temperature range to	125
Thermal current at 250 V AC	10



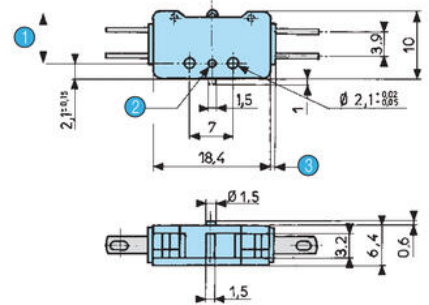
83 132 0



- 1 OL = 7.4
- 2 Ø1.5 depth 0.7
- 3 2 plates 0.8

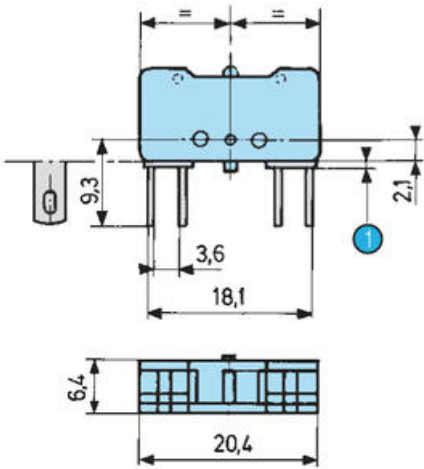


83 132 0

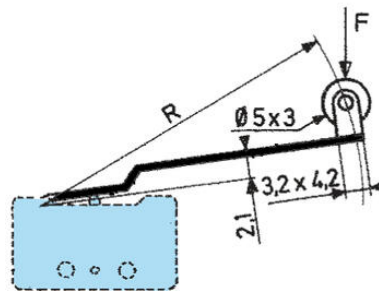


- 1 OL = 7.4
- 2 Ø1.5 depth 0.7
- 3 2 plates 0.8

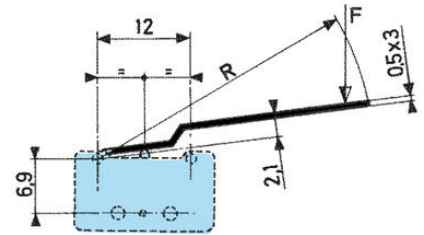
83 133 0



54E

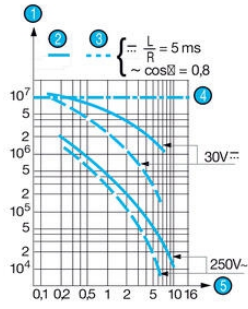


54A



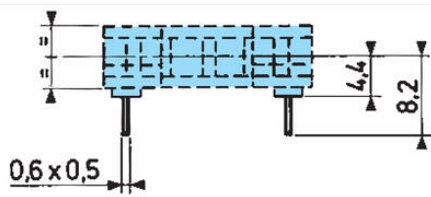
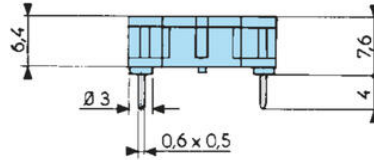
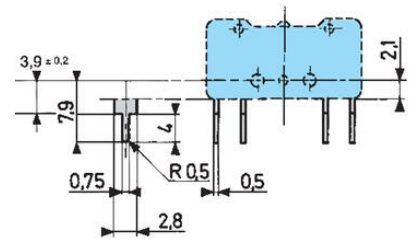
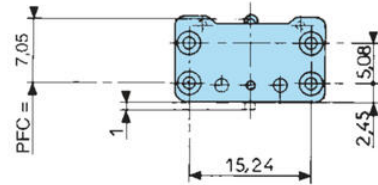
1 2 plates 0.8

Operating curve for type
83 132 0 - 83 133 0 - 83 134 0

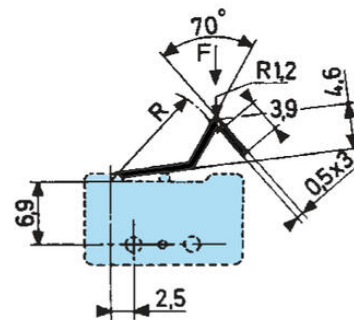


- 1 Number of cycles
- 2 Resistive load
- 3 Inductive load
- 4 Mechanical life
- 5 Current (A)

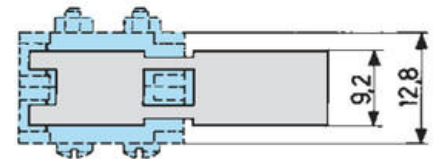
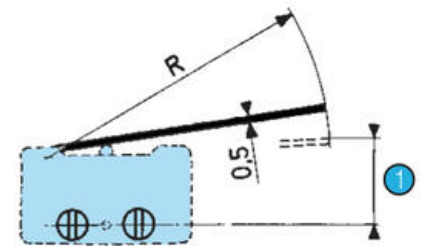
83 134 0



54B

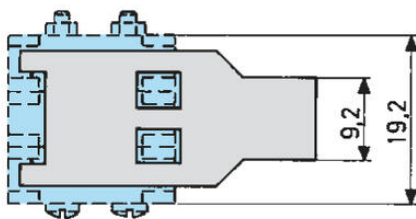


54A2

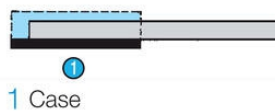


1 Switching point

54A3



For 83 132 0 och 83 133 0



For 83 134 0

