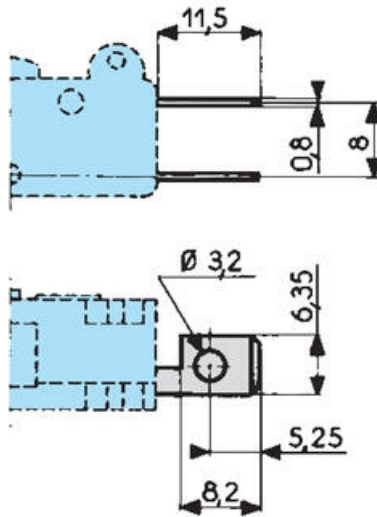
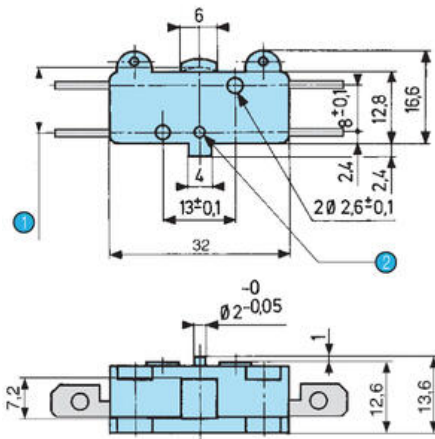


W3 for 6.35 mm clips

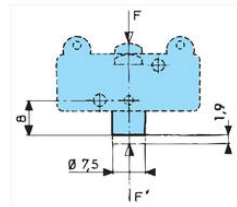


83 106

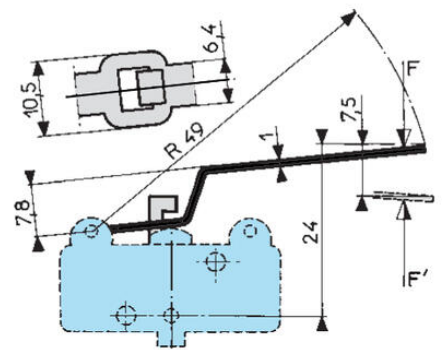


- 1 OL = 10.65
- 2 Ø 2^{+0.01 +0.05} depth 1.2

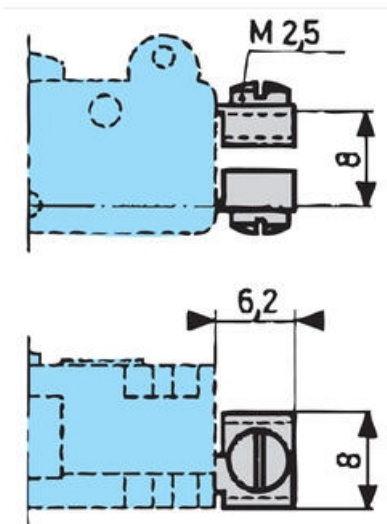
83 106 7



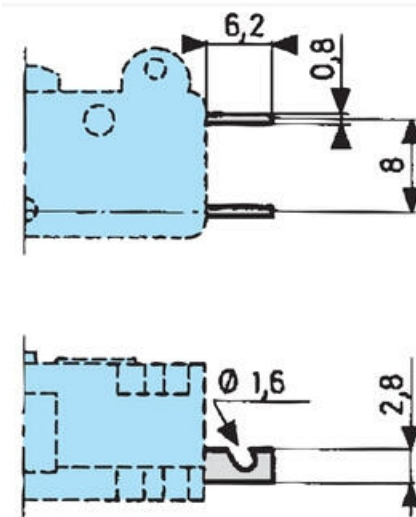
83 106 4



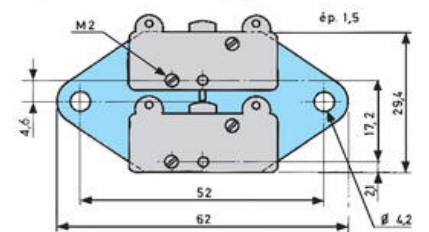
W1 screw



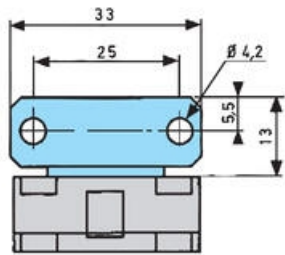
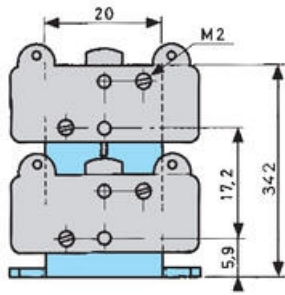
W2 solder



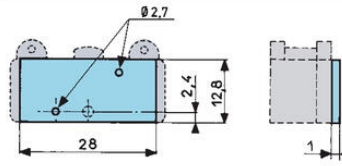
O2 2-pole side mounting plate



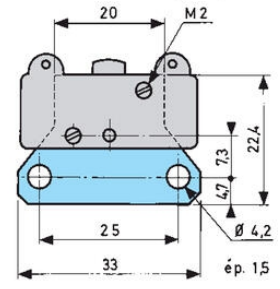
K2 (on request)
2-pole vertical mounting plate



Y (on request)
side plate



H
Horizontal single pole mounting plate



Without indication, the thickness of the plate is 1.5 mm